

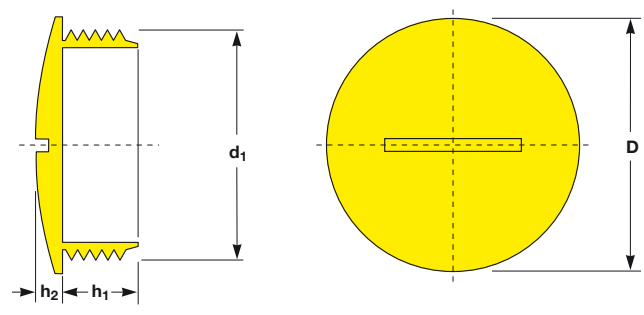


Threaded Blanking Plugs

Close existing threads to secure unused ports for future use.

NEXT
Express
Service
MORNING

STANDARD RANGE
EPN 450



PG DIN 46 320

All dimensions in mm

Thread size	Flange	Depth		Reference No.
		d_1	D	
PG 7	15.0	6.0	2.0	EPN 450 / PG 7
PG 9	19.0	6.0	3.0	EPN 450 / PG 9
PG 11	22.0	6.5	3.0	EPN 450 / PG 11
PG 13.5	25.0	6.0	3.5	EPN 450 / PG 13.5
PG 16	27.0	6.0	3.5	EPN 450 / PG 16
PG 21	33.0	8.0	3.0	EPN 450 / PG 21
PG 29	44.0	8.0	4.0	EPN 450 / PG 29
PG 36	55.0	10.0	5.0	EPN 450 / PG 36
PG 42	62.0	10.0	6.0	EPN 450 / PG 42
PG 48	69.0	12.0	4.0	EPN 450 / PG 48

Metric

NEW	M 12x1.5	15.0	6.0	4.0	EPN 450/M 12x1.5
NEW	M 16x1.5	20.0	7.0	4.0	EPN 450/M 16x1.5
NEW	M 20x1.5	24.0	7.0	4.5	EPN 450/M 20x1.5
NEW	M 25x1.5	30.0	11.0	4.5	EPN 450/M 25x1.5
NEW	M 32x1.5	38.0	11.0	5.0	EPN 450/M 32x1.5
NEW	M 40x1.5	46.0	13.0	5.0	EPN 450/M 40x1.5
NEW	M 50x1.5	56.0	14.0	6.5	EPN 450/M 50x1.5
NEW	M 63x1.5	69.0	15.0	5.5	EPN 450/M 63x1.5



Should your requirements not be shown please ask for separate quotation. PROTEC products and specifications are subject to improvement and change without notice.

Threaded Blanking Plugs

Close existing threads to secure unused ports for future use.

This range fits a variety of Metric and PG thread sizes and can be applied for plugging threads in panels from 12 mm to 63 mm in diameter.



STANDARD RANGE

EPN 450



Material : PS – durable polystyrene
 Standard Colour : light grey, RAL 7035

DATA