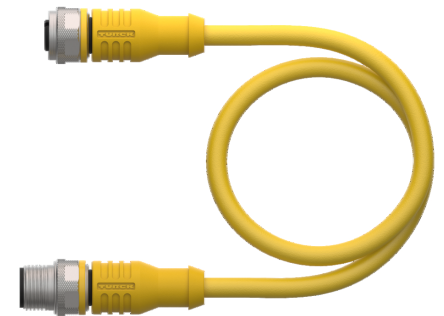
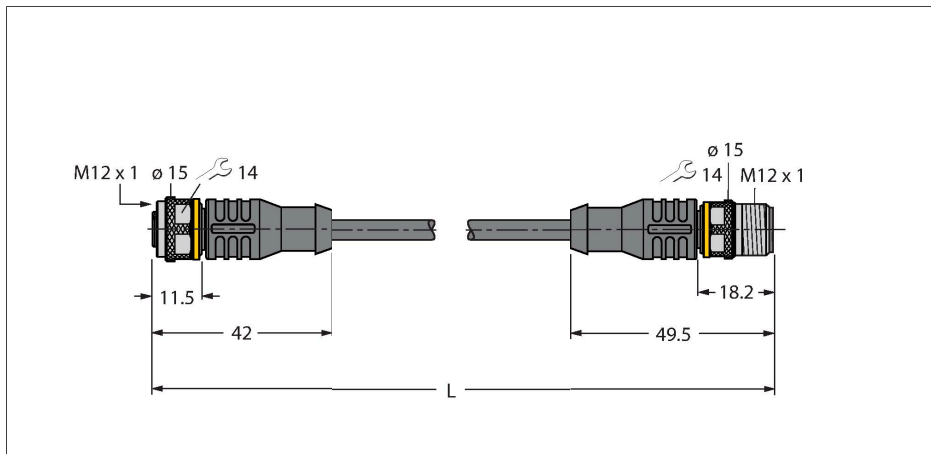


# RKC8T-15-RSC8T/TXY3013

## Actuator and Sensor Cable, PUR – Extension Cable



### Technical data

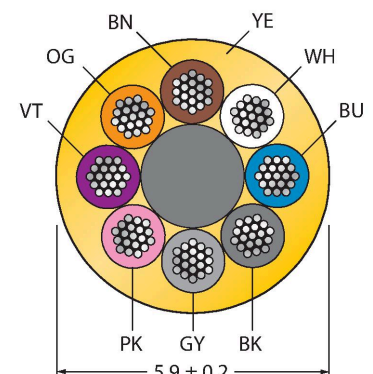
|                              |   |
|------------------------------|---|
| Type                         | RKC8T-15-RSC8T/TXY3013                  |
| ID                           | 100000222                               |
| Connector A                  | Female, M12 × 1, Straight, A-coded      |
| Number of Pins               | 8                                       |
| Contacts                     | Brass, CuZn, Gold-plated                |
| Contact carriers             | Plastic, TPU, Black                     |
| Connector body               | Plastic, TPU, Yellow                    |
| Coupling nut/screw           | Brass, CuZn, Nickel-plated              |
| Seal                         | Plastic, FPM/FKM                        |
| Mechanical lifespan          | > 100 Mating cycles                     |
| Pollution degree             | 3                                       |
| Protection class             | IP67, IP69K, Only in screwed condition  |
| Connector B                  | Male, M12 × 1, Straight, A-coded        |
| Number of pins               | 8                                       |
| Contacts                     | Brass, CuZn, Gold-plated                |
| Contact carriers             | Plastic, TPU, Black                     |
| Connector body               | Plastic, TPU, Yellow                    |
| Coupling nut/retaining screw | Brass, CuZn, Nickel-plated              |
| Mechanical life              | > 100 Mating cycles                     |
| Pollution degree             | 3                                       |
| Protection class             | IP67, IP69K, Only when screwed together |
| Cable                        |   |
| Cable diameter               | Ø 5.9 mm ±0.20                          |
| Cable length                 | 15 m                                    |
| Cable jacket                 | PUR, Yellow                             |
| Core insulation              | PP                                      |
| Core cross-section           | 8 x 0.25 mm <sup>2</sup>                |

### Features



- Female M12, straight, 8-pin
- Male M12, straight, 8-pin
- Jacket material: PUR
- Jacket color: yellow
- Grip color: yellow
- Suitable for drag chain use
- Resistant to chemicals, UV radiation and oils
- Flame retardant (FT2 acc. to UL 1581, IEC 60332-2-2)
- Free from halogen, silicone, PVC and LABS
- Particularly resistant to abrasion
- Protection class: IP67, IP69K
- Cable length: 15 m

### Cable Cross-Section



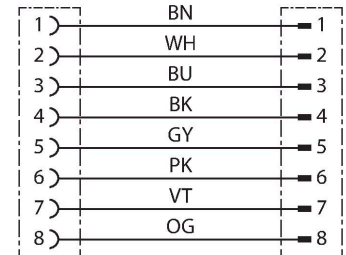
### Contact assignment

## Technical data

|   |                                |
|---|--------------------------------|
| Arrangement of strands                          | 32 x 0.1 mm                    |
| Core colors                                     | BN, WH, BU, BK, GY, PK, VT, OG |
| <b>Electrical properties at +20 °C</b>          |                                |
| Rated voltage                                   | 30 V                           |
| Test voltage                                    | 2000 V                         |
| Current   | 2 A                            |
| Insulation resistance                           | > 30.5 MΩ/km                   |
| forward resistance                              | max. 79 Ω/km                   |
| <b>Mechanical and chemical properties</b>       |                                |
| Bending radius (stationary installation)        | ≥ 5 x Ø                        |
| Bending radius (flexible use)                   | ≥ 10 x Ø                       |
| Bending cycles                                  | ≥ 5 million                    |
| Admissible acceleration                         | max. 5 m/s <sup>2</sup>        |
| Admissible travel path, horizontal              | 5 m (at 5 m/s <sup>2</sup> )   |
| Admissible travel path, vertical                | 2 m (at 5 m/s <sup>2</sup> )   |
| Admissible traversing speed                     | 3.3 m/s                        |
| Torsional stress                                | ± 180 °/m                      |
| Ambient temperature range (stationary)          | -50 °C...+80 °C                |
| Ambient temperature range (In motion)           | -25 °C...+80 °C                |
| Ambient temperature during drag chain operation | -25 °C...+60 °C                |
| Approvals                                       | cULus                          |



## Circuit Diagram



### Stranded Wire Colors

| Pin | DIN 47100 (old) | DIN EN 60947-5-2 (new) |
|-----|-----------------|------------------------|
| 1   | WH              | BN                     |
| 2   | BN              | WH                     |
| 3   | GN              | BU                     |
| 4   | YE              | BK                     |
| 5   | GY              | GY                     |
| 6   | PK              | PK                     |
| 7   | BU              | VT                     |
| 8   | RD              | OG                     |

## Accessories

### TORQUE-WRENCH-SET-AS

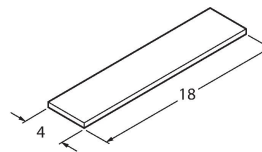
6936170



Torque wrench set; handles with adjustable torque 0.4-1.0 Nm, torque wrench for M8 (SW9), fork wrench for M12 (SW 14)

### BLANK-LABEL-FOR-CORDSETS-TEL-TXL

6936206



Label for TEL and TXL cables, length: 18 mm, height: 4 mm, material: polycarbonate (PC), color: white, halogen-free and flame-retardant