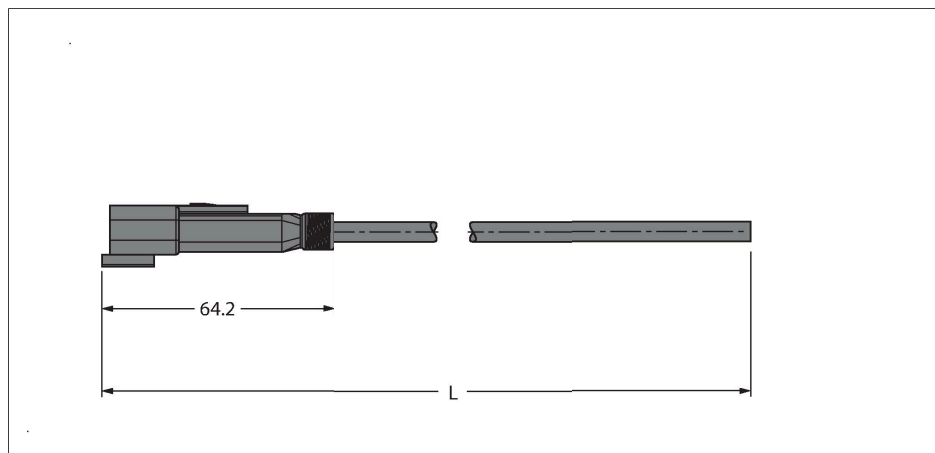


DT04-2PG-S-10/TXL

Deutsch Connector – Connection Cable



Features



- Deutsch connector DT04, straight, 2-pin
- With M12 × 1 thread for thermowell
- With protective circuitry (suppressor diode)
- With LED (yellow, 360° visible)
- Jacket material: TPE-U (PUR)
- Jacket color: black, similar to RAL 9005
- Qualified for drag chain use
- Flame-retardant acc. to cULus 20549
- Halogen-free acc. DIN VDE 0472 part 815
- Approval: cULus
- RoHS-compliant
- Protection classes IP67/IP69K
- Cable length: 10 m

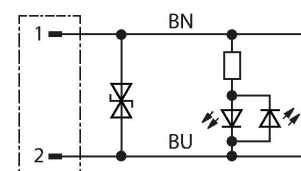
Technical data

| | |
|---|------------------------------|
| Type | DT04-2PG-S-10/TXL |
| ID | 100000248 |
| Connector A | Male, Deutsch DT, Straight |
| Number of Pins | 2 |
| Contacts | Brass, CuZn, Nickel-plated |
| Contact carriers | Plastic, Thermoplast, Yellow |
| Connector body | Plastic, TPU, UL 94, Black |
| Protective component | Suppressor diode |
| Coupling nut/screw | Nickel-plated |
| Seal | Plastic, Silicone |
| Display operating voltage | LED, Yellow |
| Mechanical lifespan | > 100 Mating cycles |
| Protection class | IP67, IP69K, (plugged) |
| Cable | |
| Cable diameter | Ø 5 mm ±0.15 |
| Cable length | 10 m |
| Cable jacket | PUR, Black |
| Core insulation | PP |
| Core cross-section | 2 x 0.75 mm ² |
| Arrangement of strands | 42 x 0.15 mm |
| Core colors | BN, BU |
| Electrical properties at +20 °C | |
| Rated voltage | 24 V |
| Test voltage | 3000 V |
| Current | 8 A |
| Mechanical and chemical properties | |
| Bending radius (stationary installation) | ≥ 5 x Ø |

Contact assignment



Circuit Diagram



Technical data

| | |
|--|------------------------------|
| Bending radius (flexible use) | $\geq 10 \times \varnothing$ |
| Bending cycles | ≥ 4 million |
| Admissible acceleration | max. 10 m/s ² |
| Admissible traversing speed | 3.33 m/s |
| Ambient temperature range (stationary) | -40 °C...+80 °C |
| Ambient temperature range (In motion) | -25 °C...+80 °C |
| Approvals | CE UKCA |