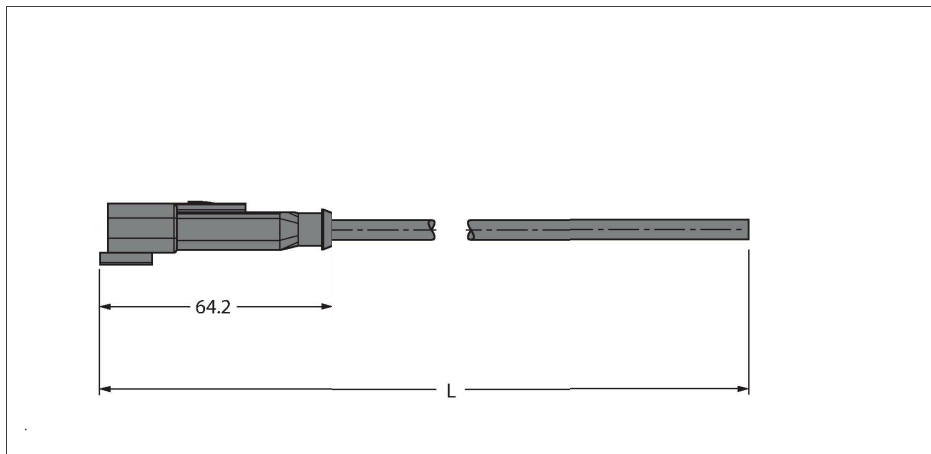


DT04-2P-A-10/TXL

Deutsch Connector – Connection Cable

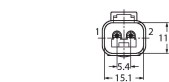


Features

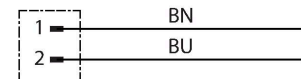


- Deutsch connector DT04, straight, 2-pin
- Jacket material: TPE-U (PUR)
- Jacket color: black, similar to RAL 9005
- Qualified for drag chain use
- Flame-retardant acc. to cULus 20549
- Halogen-free acc. DIN VDE 0472 part 815
- Approval: cULus
- RoHS-compliant
- Protection classes IP67/IP69K
- Cable length: 10 m

Contact assignment



Circuit Diagram



Technical data

Type	DT04-2P-A-10/TXL
ID	100000387
Connector A	Male, Deutsch DT, Straight
Number of Pins	2
Contacts	Brass, CuZn, Nickel-plated
Contact carriers	Plastic, Thermoplast, Yellow
Connector body	Plastic, TPU, UL 94, Black
Coupling nut/screw	Nickel-plated
Seal	Plastic, Silicone
Mechanical lifespan	> 100 Mating cycles
Protection class	IP67, IP69K, (plugged)
Cable	
Cable diameter	Ø 5 mm ±0.15
Cable length	10 m
Cable jacket	PUR, Black
Core insulation	PP
Core cross-section	2 x 0.75 mm ²
Arrangement of strands	42 x 0.15 mm
Core colors	BN, BU
Electrical properties at +20 °C	
Rated voltage	230 V
Test voltage	3000 V
Current	8 A
Mechanical and chemical properties	
Bending radius (stationary installation)	≥ 5 x Ø
Bending radius (flexible use)	≥ 10 x Ø
Bending cycles	≥ 4 million

Technical data

Admissible acceleration	max. 10 m/s ²
Admissible traversing speed	3.33 m/s
Ambient temperature range (stationary)	-40 °C...+80 °C
Ambient temperature range (In motion)	-25 °C...+80 °C
Approvals	CE UKCA