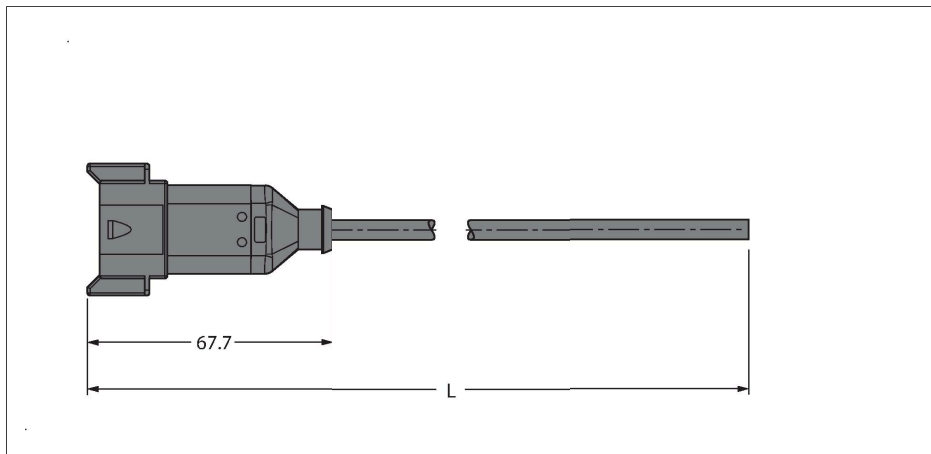


# DT04-8P-A-5/TXL

## Deutsch Connector – Connection Cable



### Features

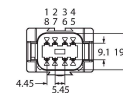


- Deutsch connector DT04, straight, 8-pin
- Jacket material: TPE-U (PUR)
- Jacket color: black, similar to RAL 7021
- Qualified for drag chain use
- Flame-retardant acc. to cULus 20549
- Halogen-free acc. DIN VDE 0472 part 815
- Approval: cULus
- RoHS-compliant
- Protection classes IP67/IP69K
- Cable length: 5.0 m

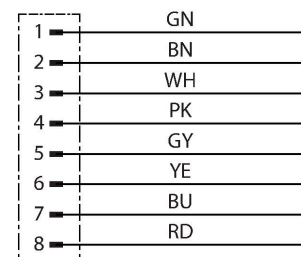
### Contact assignment

### Technical data

|   |  |
|---|--|
| Type                                      | DT04-8P-A-5/TXL                        |
| ID  | 100000470                              |
| Connector A                               | Male, Deutsch DT, Straight             |
| Number of Pins                            | 8                                      |
| Contacts                                  | Brass, CuZn, Nickel-plated             |
| Contact carriers                          | Plastic, Thermoplast, Yellow           |
| Connector body                            | Plastic, TPU, UL 94, Black             |
| Coupling nut/screw                        | Nickel-plated                          |
| Seal                                      | Plastic, Silicone                      |
| Mechanical lifespan                       | > 100 Mating cycles                    |
| Protection class                          | IP67, IP69K, (plugged)                 |
| <b>Cable</b>                              |  |
| Cable diameter                            | Ø 8 mm ±0.25                           |
| Cable length                              | 5 m                                    |
| Cable jacket                              | PUR, Black                             |
| Core insulation                           | PP                                     |
| Core cross-section                        | 8 x 0.75 mm <sup>2</sup>               |
| Arrangement of strands                    | 42 x 0.15 mm                           |
| Core colors                               | BN, GN, YE, GY, PK, BU, RD, WH         |
| <b>Electrical properties at +20 °C</b>    |  |
| Rated voltage                             | 48 V <sub>AC</sub> /60 V <sub>DC</sub> |
| Test voltage                              | 3000 V                                 |
| Current                                   | 6 A                                    |
| <b>Mechanical and chemical properties</b> |  |
| Bending radius (flexible use)             | ≥ 12 x Ø                               |
| Bending cycles                            | ≥ 2 million                            |
| Admissible acceleration                   | max. 10 m/s <sup>2</sup>               |



### Circuit Diagram



## Technical data

|  |                 |
|--|-----------------|
| Admissible traversing speed            | 1.67 m/s        |
| Ambient temperature range (stationary) | -40 °C...+80 °C |
| Ambient temperature range (In motion)  | -25 °C...+80 °C |
| Approvals                              | CE<br>UKCA      |