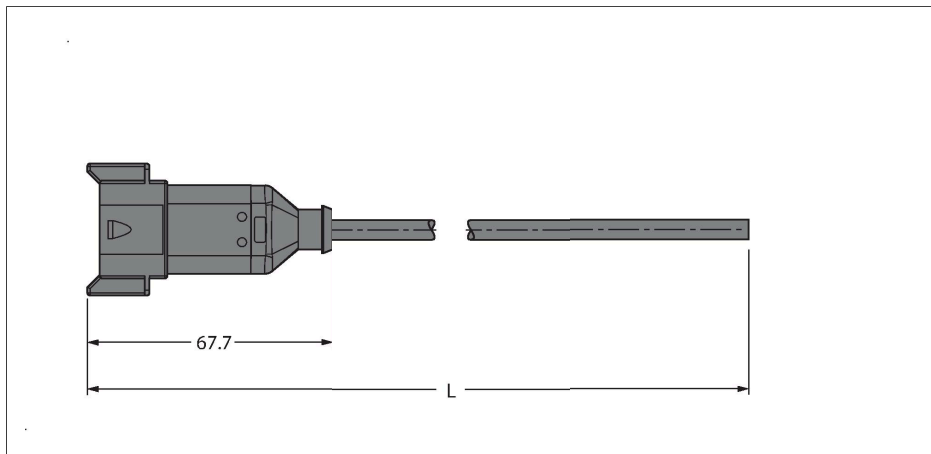


DT04-8P-A-10/TXL

Deutsch Connector – Connection Cable



Features

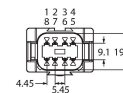


- Deutsch connector DT04, straight, 8-pin
- Jacket material: TPE-U (PUR)
- Jacket color: black, similar to RAL 7021
- Qualified for drag chain use
- Flame-retardant acc. to cULus 20549
- Halogen-free acc. DIN VDE 0472 part 815
- Approval: cULus
- RoHS-compliant
- Protection classes IP67/IP69K
- Cable length: 10 m

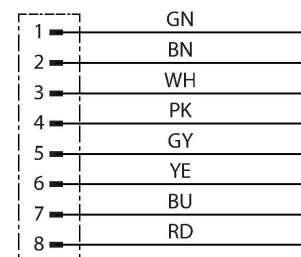
Contact assignment

Technical data

Type	DT04-8P-A-10/TXL
ID	100000471
Connector A	Male, Deutsch DT, Straight
Number of Pins	8
Contacts	Brass, CuZn, Nickel-plated
Contact carriers	Plastic, Thermoplast, Yellow
Connector body	Plastic, TPU, UL 94, Black
Coupling nut/screw	Nickel-plated
Seal	Plastic, Silicone
Mechanical lifespan	> 100 Mating cycles
Protection class	IP67, IP69K, (plugged)
Cable	
Cable diameter	Ø 8 mm ±0.25
Cable length	10 m
Cable jacket	PUR, Black
Core insulation	PP
Core cross-section	8 x 0.75 mm ²
Arrangement of strands	42 x 0.15 mm
Core colors	BN, GN, YE, GY, PK, BU, RD, WH
Electrical properties at +20 °C	
Rated voltage	48 V _{AC} /60 V _{DC}
Test voltage	3000 V
Current	6 A
Mechanical and chemical properties	
Bending radius (flexible use)	≥ 12 x Ø
Bending cycles	≥ 2 million
Admissible acceleration	max. 10 m/s ²



Circuit Diagram



Technical data

Admissible traversing speed	1.67 m/s
Ambient temperature range (stationary)	-40 °C...+80 °C
Ambient temperature range (In motion)	-25 °C...+80 °C
Approvals	CE UKCA