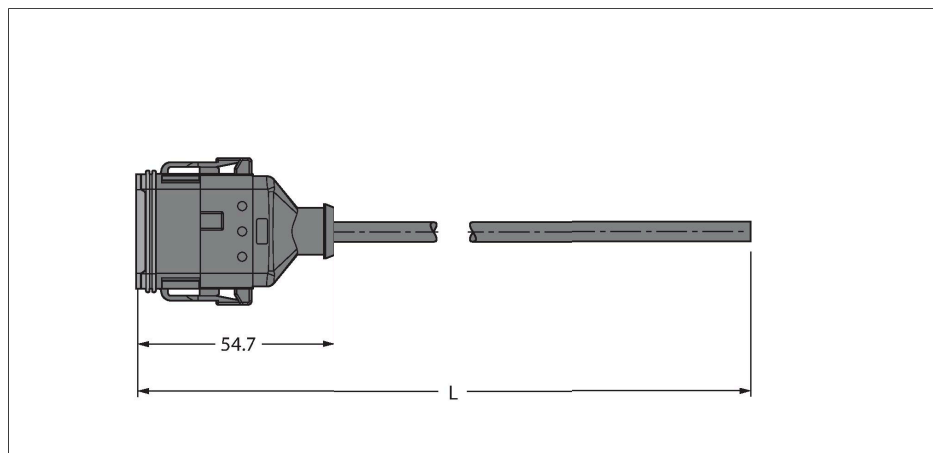


DT06-12S-A-2/TXL

Deutsch Connector – Connection Cable

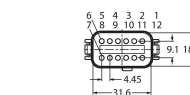


Features



- Deutsch connector DT06, straight, 12-pin
- Jacket material: TPE-U (PUR)
- Jacket color: black, similar to RAL 9005
- Qualified for drag chain use
- Flame-retardant acc. to cULus 20549
- Halogen-free acc. DIN VDE 0472 part 815
- Approval: cULus
- RoHS-compliant
- Protection classes IP67/IP69K
- Cable length: 2.0 m

Contact assignment



Circuit Diagram

1)	GN
2)	BN
3)	WH
4)	PK
5)	GY
6)	YE
7)	BU
8)	RD
9)	BK
10)	VT
11)	GY/PK
12)	RD/BU

Technical data

Type	DT06-12S-A-2/TXL
ID	100000475
Connector A	Female, Deutsch DT, Straight
Number of Pins	12
Contacts	Brass, CuZn, Nickel-plated
Contact carriers	Plastic, Thermoplast, Green
Connector body	Plastic, TPU, UL 94, Black
Seal	Plastic, Silicone
Mechanical lifespan	> 100 Mating cycles
Protection class	IP67, IP69K, (plugged)
Cable	
Cable diameter	Ø 9 mm ±0.25
Cable length	2 m
Cable jacket	PUR, Black
Core insulation	PP
Core cross-section	12 x 0.75 mm ²
Arrangement of strands	42 x 0.15 mm
Core colors	BN, BU, WH, GN, PK, YE, BK, GY, RD, VT, GY/PK, RD/BU
Electrical properties at +20 °C	
Rated voltage	230 V
Test voltage	3000 V
Current	5 A
Mechanical and chemical properties	
Bending radius (flexible use)	≥ 12 x Ø
Bending cycles	≥ 1 million
Admissible acceleration	max. 10 m/s ²
Admissible traversing speed	1.67 m/s

Technical data

Ambient temperature range (stationary)	-40 °C...+80 °C
--	-----------------

Ambient temperature range (In motion)	-25 °C...+80 °C
---------------------------------------	-----------------

Approvals	CE UKCA
-----------	------------