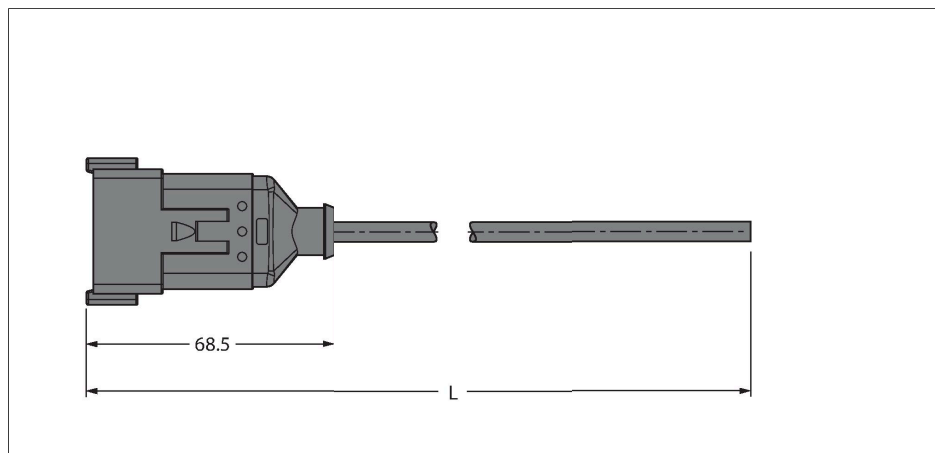


DT04-12P-A-5/TXL

Deutsch Connector – Connection Cable

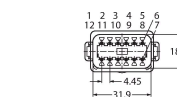


Features

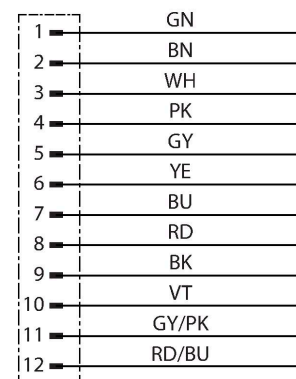


- Deutsch connector DT04, straight, 12-pin
- Jacket material: TPE-U (PUR)
- Jacket color: black, similar to RAL 9005
- Qualified for drag chain use
- Flame-retardant acc. to cULus 20549
- Halogen-free acc. DIN VDE 0472 part 815
- Approval: cULus
- RoHS-compliant
- Protection classes IP67/IP69K
- Cable length: 5.0 m

Contact assignment



Circuit Diagram



Technical data

Type	DT04-12P-A-5/TXL
ID	100000479
Connector A	Male, Deutsch DT, Straight
Number of Pins	12
Contacts	Brass, CuZn, Nickel-plated
Contact carriers	Plastic, Thermoplast, Yellow
Connector body	Plastic, TPU, UL 94, Black
Coupling nut/screw	Nickel-plated
Seal	Plastic, Silicone
Mechanical lifespan	> 100 Mating cycles
Protection class	IP67, IP69K, (plugged)
Cable	
Cable diameter	Ø 9 mm ±0.25
Cable length	5 m
Cable jacket	PUR, Black
Core insulation	PP
Core cross-section	12 x 0.75 mm ²
Arrangement of strands	42 x 0.15 mm
Core colors	BN, BU, WH, GN, PK, YE, BK, GY, RD, VT, GY/PK, RD/BU
Electrical properties at +20 °C	
Rated voltage	230 V
Test voltage	3000 V
Current	5 A
Mechanical and chemical properties	
Bending radius (flexible use)	≥ 12 x Ø
Bending cycles	≥ 1 million
Admissible acceleration	max. 10 m/s ²

Technical data

Admissible traversing speed	1.67 m/s
Ambient temperature range (stationary)	-40 °C...+80 °C
Ambient temperature range (In motion)	-25 °C...+80 °C
Approvals	CE UKCA