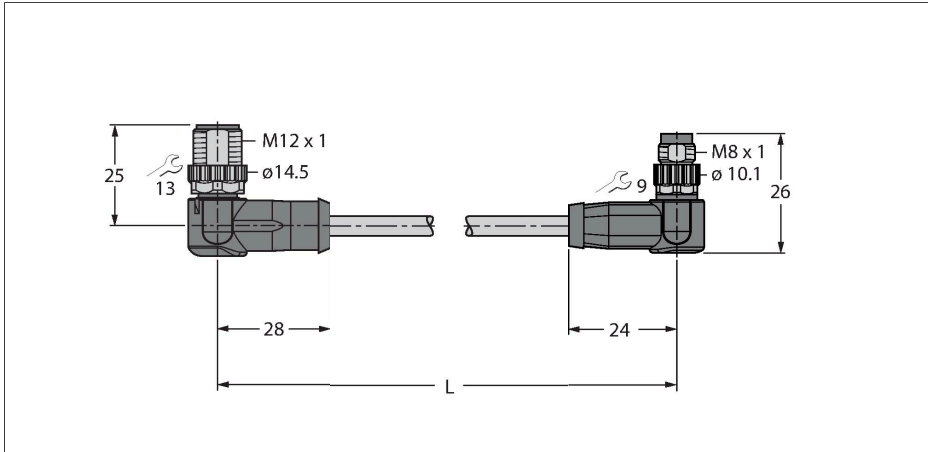


# WSSD-PSWS4M-4416-2M

## Industrial Ethernet/PROFINET Cable – Connection Cable



### Features

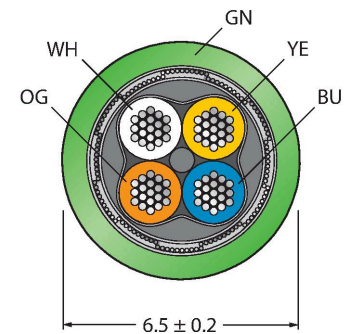


- M12 male connector, angled, D-coded
- M8 male connector, angled
- Ethernet cable: 4-pin, AWG 22
- CAT 5E
- Jacket material: PUR
- Jacket color: green
- Shielding: Overlapping aluminum foil, tinned copper wire
- Jacket diameter: 6.5 mm
- Suitable for drag chain use
- Oil resistant acc. to IEC 60811-2-1 and UL13
- Halogen free acc. to IEC 60754
- Flame retardant acc. to IEC 60332-1-2 and UL2556 VW1
- Approval: cULus
- RoHS compliant
- PNO compliant
- Cable length: 2.0 m

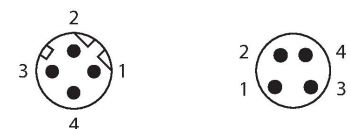
### Technical data

|                              |  |
|------------------------------|--|
| Type                         | WSSD-PSWS4M-4416-2M  |
| ID                           | 100004703  |
| Connector A                  | Male, M12 × 1, Angled, D-coded                               |
| Number of Pins               | 4  |
| Contacts                     | Metal, CuZn, Gold-plated                                     |
| Contact carriers             | Plastic, PA, UL 94, Black                                    |
| Connector body               | Plastic, TPU, UL 94, Black                                   |
| Coupling nut/screw           | Brass, GD-Zn, Nickel-plated                                  |
| Tightening torque (range)    | 0.4 ... 0.6 Nm<br>(observe max. torque of mating connector!) |
| Mechanical lifespan          | > 100 Mating cycles  |
| Pollution degree             | 3/2  |
| Protection class             | IP67, Only in screwed condition                              |
| Connector B                  | Male, M8 × 1, Angled   |
| Number of pins               | 4  |
| Contacts                     | Metal, CuZn, Gold-plated                                     |
| Contact carriers             | Plastic, PA, UL 94, Black                                    |
| Connector body               | Plastic, TPU, UL 94, Black                                   |
| Coupling nut/retaining screw | Die-cast Zinc, GD-Zn, Nickel-plated                          |
| Tightening torque            | 0.4 ... 0.6 Nm<br>(observe max. torque of mating connector!) |
| Mechanical life              | > 100 Mating cycles  |
| Pollution degree             | 3/2  |
| Protection class             | IP67, Only when screwed together                             |
| Cable                        |  |
| Network protocol             | Ethernet   |
| Cable diameter               | Ø 6.5 mm ±0.20   |

### Cable Cross-Section



### Contact assignment



## Technical data

|   |                                   |
|---|-----------------------------------|
| Cable length                              | 2 m                               |
| Cable jacket                              | PUR, Green                        |
| Shielding                                 | Aluminum foil, tinned copper wire |
| Core insulation                           | PE                                |
| Core cross-section                        | 4 x 0.32 mm <sup>2</sup>          |
| Arrangement of strands                    | 7 x 0.25 mm                       |
| Core colors                               | WH, YE, BU, OG                    |
| <b>Electrical properties at +20 °C</b>    |                                   |
| Rated voltage                             | 48 V                              |
| Test voltage                              | 2000 V                            |
| Current                                   | 3 A                               |
| DC resistance (loop)                      | 120 Ω/km                          |
| Nom. impedance                            | 100 Ω (1MHZ)                      |
| Nom. capacitance                          | 50 pF/m                           |
| <b>Mechanical and chemical properties</b> |                                   |
| Bending radius (stationary installation)  | ≥ 5 x Ø                           |
| Bending radius (flexible use)             | ≥ 8 x Ø                           |
| Bending cycles                            | ≥ 3 million                       |
| Torsional stress                          | ± 180 °/m                         |
| Torsion cycles                            | ≤ 100,000 Cycles                  |
| Ambient temperature range (stationary)    | -50 °C...+70 °C                   |
| Ambient temperature range (In motion)     | -20 °C...+60 °C                   |
| <b>Other Features</b>                     |                                   |
| Qualified for drag chain use              | yes                               |
| Halogen-free                              | yes                               |
| PVC-free                                  | yes                               |
| UV resistance                             | yes                               |
| Oil-resistant                             | yes                               |
| Flame-retardant                           | yes                               |
| Approvals                                 | cULus                             |

## Circuit Diagram

