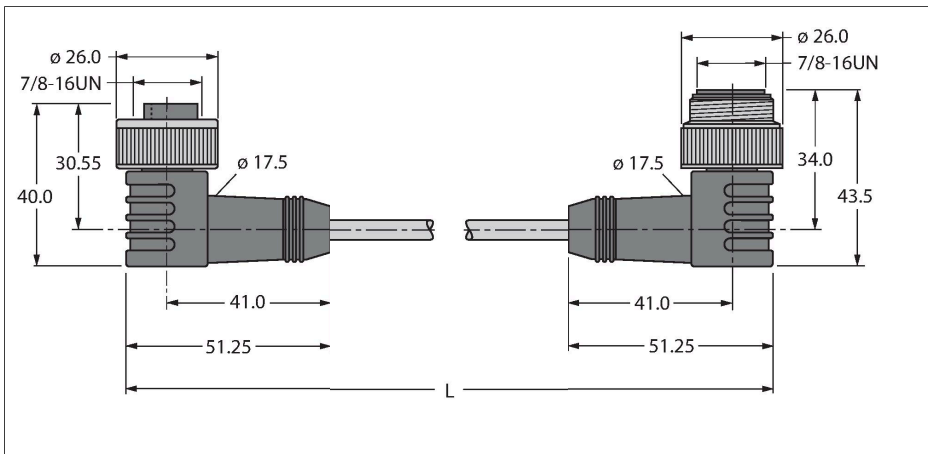


# WKM52-10-WSM52

## Power Supply Cable, PUR – Extension Cable

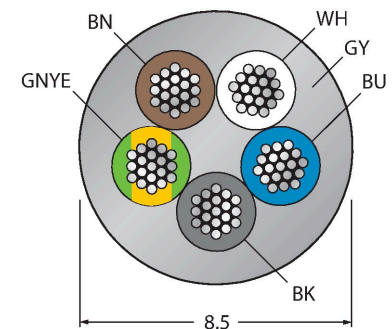


### Features

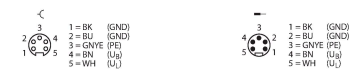


- Power cable: 5 × 1.5 mm<sup>2</sup>
- Jacket material: PUR, color: gray
- Jacket diameter: 8.5 mm
- Suitable for drag chain use
- Oil resistant and flame retardant
- Halogen free
- 7/8" male, angled
- 7/8" female, angled
- Cable length: 10 m

### Cable Cross-Section



### Contact assignment



### Circuit Diagram



### Technical data

|                              |                                  |
|------------------------------|----------------------------------|
| Type                         | WKM52-10-WSM52                   |
| ID                           | 6604808                          |
| Connector A                  | Female, 7/8"-16 UN, Angled       |
| Number of Pins               | 4+PE                             |
| Contacts                     | Metal, CuZn, Gold-plated         |
| Contact carriers             | Plastic, TPU, Black              |
| Connector body               | Plastic, TPU, Black              |
| Coupling nut/screw           | Brass, CuZn, Nickel-plated       |
| Mechanical lifespan          | > 100 Mating cycles              |
| Pollution degree             | 3                                |
| Protection class             | IP67, Only in screwed condition  |
| Connector B                  | Male, 7/8"-16 UN, Angled         |
| Number of pins               | 4+PE                             |
| Contacts                     | Metal, CuZn, Gold-plated         |
| Contact carriers             | Plastic, TPU, Black              |
| Connector body               | Plastic, TPU, Black              |
| Coupling nut/retaining screw | Brass, CuZn, Nickel-plated       |
| Mechanical life              | > 100 Mating cycles              |
| Pollution degree             | 3                                |
| Protection class             | IP67, Only when screwed together |
| Cable                        |                                  |
| Cable diameter               | Ø 8.5 mm ±0.30                   |
| Cable length                 | 10 m                             |
| Cable jacket                 | PUR, Gray                        |
| Shielding                    | no                               |
| Core insulation              | PP                               |
| Core cross-section           | 5 x 1.5 mm <sup>2</sup>          |

## Technical data

|   |                      |
|---|----------------------|
| Arrangement of strands                          | 84 x 0.15 mm         |
| Core cross-section                              | 1.5 mm <sup>2</sup>  |
| Core colors                                     | BN, WH, BU, BK, GNYE |
| <b>Electrical properties at +20 °C</b>          |                      |
| Rated voltage                                   | 240 V                |
| Test voltage                                    | 2000 V               |
| Current   | 5.3 A                |
| <b>Mechanical and chemical properties</b>       |                      |
| Bending radius (flexible use)                   | ≥ 10 x Ø             |
| Ambient temperature range (stationary)          | -40 °C...+90 °C      |
| Ambient temperature range (In motion)           | 0 °C...+90 °C        |
| Ambient temperature during drag chain operation | 0 °C...+90 °C        |
| <b>Other Features</b>                           |                      |
| Qualified for drag chain use                    | yes                  |
| Halogen-free                                    | yes                  |
| Oil-resistant                                   | yes                  |
| Flame-retardant                                 | yes                  |
| Approvals                                       | CE<br>UKCA           |