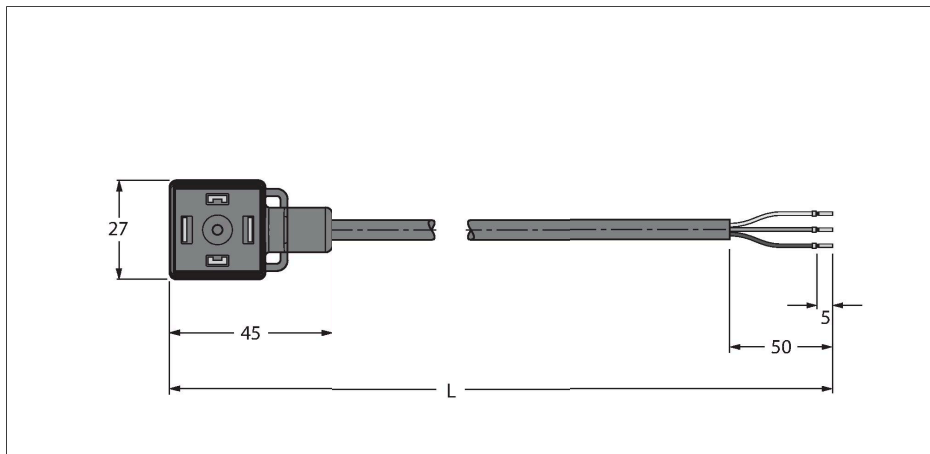


# VAS02-A80E-10/TXL

## Valve connector A type – Connection Cable



### Features

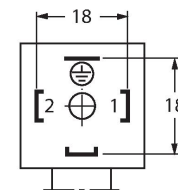


- 2-pin + PE
- Design according to the DIN EN 175301-803
- RoHS-compliant
- Protection class: IP65, IP67, IP68
- Without protective circuitry
- Without LED
- Jacket material: PUR
- Jacket color: black
- Suitable for drag chain use
- Resistant to chemicals and oils
- UV and ozone resistance
- Flame retardant
- Free from halogen, silicone, PVC and LABS
- Cable length: 10 m

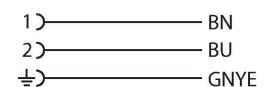
### Technical data

|  |                                 |
|--|---------------------------------|
| Type                                     | VAS02-A80E-10/TXL               |
| ID                                       | 6606658                         |
| Connector A                              | Valve connector, Design A       |
| Number of Pins                           | 2+PE                            |
| Contacts                                 | Metal, CuSn, Silver-plated      |
| Contact carriers                         | Plastic, PA, Black              |
| Connector body                           | Plastic, TPU, Black/Translucent |
| Protective component                     | without protective circuitry    |
| Seal                                     | Plastic, TPU                    |
| Mechanical lifespan                      | > 100 Mating cycles             |
| Pollution degree                         | 3                               |
| Protection class                         | IP65, IP67, IP68, (mounted)     |
| Cable diameter                           | Ø 5.7 mm ±0.20                  |
| Cable length                             | 10 m                            |
| Cable jacket                             | PUR, Black                      |
| Core insulation                          | PP                              |
| Core cross-section                       | 3 x 0.75 mm <sup>2</sup>        |
| Arrangement of strands                   | 42 x 0.15 mm                    |
| Core colors                              | BN, BU, GNYE                    |
| <b>Electrical properties at +20 °C</b>   |                                 |
| Rated voltage                            | 230 V                           |
| Test voltage                             | 2000 V                          |
| Current                                  | 4 A                             |
| Insulation resistance                    | > 1 MΩ/km                       |
| Insulation resistance forward resistance | ≥ 10 <sup>8</sup> Ω             |
|  | max. 26 Ω/km                    |

### Contact assignment



### Circuit Diagram



## Technical data

| Mechanical and chemical properties              |   |
|---|---|
| Max. tensile strength (static)                  | $\leq 50 \text{ N/mm}^2$                                      |
| Max. tensile strength (dynamic)                 | $\leq 20 \text{ N/mm}^2$                                      |
| Bending radius (stationary installation)        | $\geq 5 \times \varnothing$                                   |
| Bending radius (flexible use)                   | $\geq 10 \times \varnothing$                                  |
| Bending cycles                                  | $\geq 3 \text{ million}$                                      |
| Admissible acceleration                         | max. $5 \text{ m/s}^2$  |
| Admissible travel path, horizontal              | 5 m (at $5 \text{ m/s}^2$ )                                   |
| Admissible travel path, vertical                | 2 m (at $5 \text{ m/s}^2$ )                                   |
| Admissible traversing speed                     | 3.3 m/s   |
| Torsional stress                                | $\pm 180 \text{ }^\circ/\text{m}$                             |
| Ambient temperature range (stationary)          | $-40 \text{ }^\circ\text{C} \dots +80 \text{ }^\circ\text{C}$ |
| Ambient temperature range (In motion)           | $-30 \text{ }^\circ\text{C} \dots +90 \text{ }^\circ\text{C}$ |
| Ambient temperature during drag chain operation | $-25 \text{ }^\circ\text{C} \dots +60 \text{ }^\circ\text{C}$ |
| Mounting screw                                  | Brass, CuZn, nickel-plated                                    |
| Approvals                                       | CE<br>UKCA  |