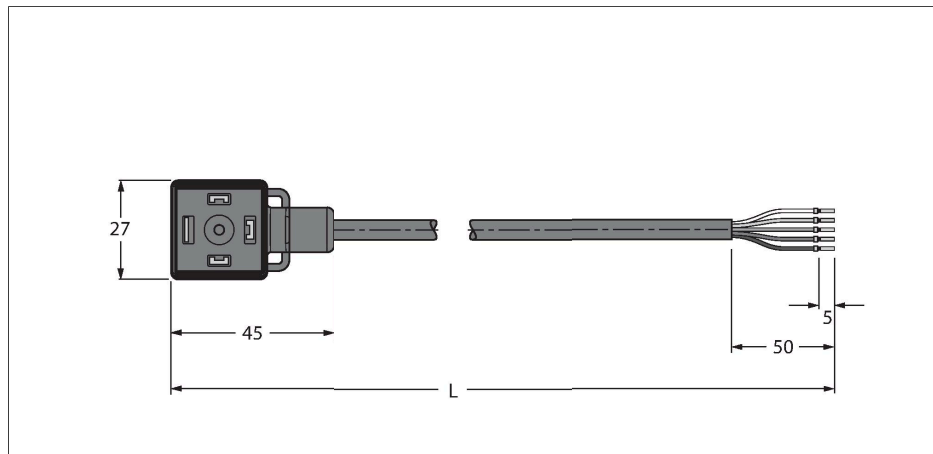


# VAS04-K81E-5/TXL

## Valve connector A type – Connection Cable



### Features

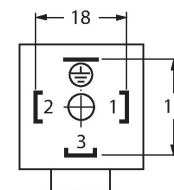


- 3-pin + PE / strand connection
- Design according to the DIN EN 175301-803
- RoHS-compliant
- Protection class: IP65, IP67, IP68
- Without protective circuitry
- Jacket material: PUR
- Jacket color: black
- Suitable for drag chain use
- Resistant to chemicals and oils
- UV and ozone resistance
- Flame retardant
- Free from halogen, silicone, PVC and LABS
- Cable length: 5.0 m

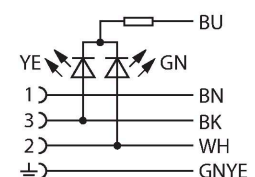
### Technical data

|  |                                 |
|--|---------------------------------|
| Type                                   | VAS04-K81E-5/TXL                |
| ID                                     | 6606771                         |
| Connector A                            | Valve connector, Design A       |
| Number of Pins                         | 3+PE                            |
| Contacts                               | Metal, CuSn, Silver-plated      |
| Contact carriers                       | Plastic, PA, Black              |
| Connector body                         | Plastic, TPU, Black/Translucent |
| Protective component                   | without protective circuitry    |
| Seal                                   | Plastic, TPU                    |
| Display switch state                   | LED, Yellow/Green               |
| Mechanical lifespan                    | > 100 Mating cycles             |
| Pollution degree                       | 3                               |
| Protection class                       | IP65, IP67, IP68, (mounted)     |
| Cable diameter                         | Ø 6.8 mm ±0.20                  |
| Cable length                           | 5 m                             |
| Cable jacket                           | PUR, Black                      |
| Core insulation                        | PP                              |
| Core cross-section                     | 4 x 0.75 mm <sup>2</sup>        |
| Arrangement of strands                 | 42 x 0.15 mm                    |
| Core colors                            | BN, WH, BU, BK, GNYE            |
| <b>Electrical properties at +20 °C</b> |                                 |
| Rated voltage                          | 24 V                            |
| Test voltage                           | 2000 V                          |
| Current                                | 4 A                             |
| Insulation resistance                  | > 1 MΩ/km                       |
| Insulation resistance                  | ≥ 10 <sup>8</sup> Ω             |
| forward resistance                     | max. 26 Ω/km                    |

### Contact assignment



### Circuit Diagram



## Technical data

| Mechanical and chemical properties              |                              |
|---|------------------------------|
| Max. tensile strength (static)                  | ≤ 50 N/mm <sup>2</sup>       |
| Max. tensile strength (dynamic)                 | ≤ 20 N/mm <sup>2</sup>       |
| Bending radius (stationary installation)        | ≥ 5 x Ø                      |
| Bending radius (flexible use)                   | ≥ 10 x Ø                     |
| Bending cycles                                  | ≥ 3 million                  |
| Admissible acceleration                         | max. 5 m/s <sup>2</sup>      |
| Admissible travel path, horizontal              | 5 m (at 5 m/s <sup>2</sup> ) |
| Admissible travel path, vertical                | 2 m (at 5 m/s <sup>2</sup> ) |
| Admissible traversing speed                     | 3.3 m/s                      |
| Torsional stress                                | ± 180 °/m                    |
| Ambient temperature range (stationary)          | -40 °C...+80 °C              |
| Ambient temperature range (In motion)           | -30 °C...+90 °C              |
| Ambient temperature during drag chain operation | -25 °C...+60 °C              |
| Mounting screw                                  | Brass, CuZn, nickel-plated   |
| Approvals                                       | CE<br>UKCA                   |