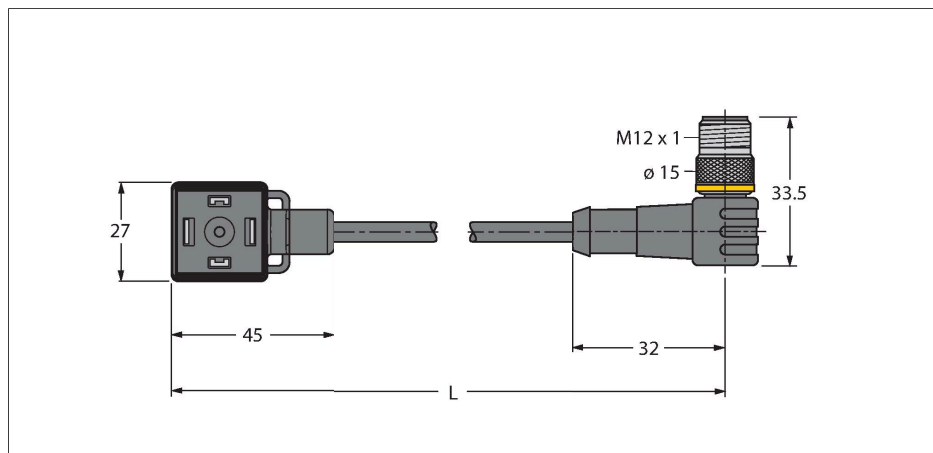


# VAS22-S80E-5-WSC5.31T/TXL

## – Extension Cable



### Features

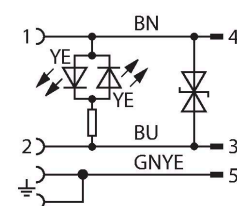
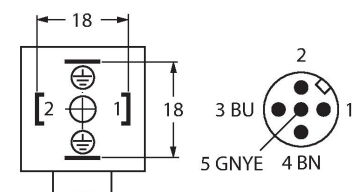


- 2-pin + PE
- Design according to the DIN EN 175301-803
- RoHS-compliant
- Protection class: IP65, IP67, IP68
- Protective component: Transil diode
- M12 male, angled, 2-pin + PE
- Jacket material: PUR
- Jacket color: black
- Suitable for drag chain use
- Resistant to chemicals and oils
- UV and ozone resistance
- Flame retardant
- Free from halogen, silicone, PVC and LABS
- Cable length: 5.0 m

### Technical data

|  |   |
|--|---|
| Type                                   | VAS22-S80E-5-WSC5.31T/TXL               |
| ID                                     | 6606797                                 |
| Number of Pins                         | 2+PE, PE bridged                        |
| Protective component                   | Transil diode                           |
| Display switch state                   | LED, Yellow/Yellow                      |
| Protection class                       | IP65, IP67, IP68                        |
| Connector B                            | Male, M12 × 1, Angled                   |
| Number of pins                         | 2+PE                                    |
| Contacts                               | Metal, CuZn, Gold-plated                |
| Contact carriers                       | Plastic, TPU, Black                     |
| Connector body                         | Plastic, TPU, Black                     |
| Coupling nut/retaining screw           | Brass, CuZn, Nickel-plated              |
| Tightening torque                      | 0.8 ... 1 Nm                            |
| Mechanical life                        | > 100 Mating cycles                     |
| Pollution degree                       | 3                                       |
| Protection class                       | IP67, IP69K, Only when screwed together |
| Cable diameter                         | Ø 5.2 mm ±0.20                          |
| Cable length                           | 5 m                                     |
| Cable jacket                           | PUR, Black                              |
| Core insulation                        | PP                                      |
| Core cross-section                     | 3 x 0.75 mm <sup>2</sup>                |
| Arrangement of strands                 | 42 x 0.1 mm                             |
| Core colors                            | BN, BU, GNYE                            |
| <b>Electrical properties at +20 °C</b> |   |
| Rated voltage                          | 24 V                                    |
| Test voltage                           | 2000 V                                  |
| Current                                | 4 A                                     |

### Contact assignment



## Technical data

|   |                                     |
|---|-------------------------------------|
| Insulation resistance                           | > 1 M $\Omega$ /km                  |
| forward resistance                              | max. 57 $\Omega$ /km                |
| <b>Mechanical and chemical properties</b>       |                                     |
| Max. tensile strength (static)                  | $\leq$ 50 N/mm <sup>2</sup>         |
| Max. tensile strength (dynamic)                 | $\leq$ 20 N/mm <sup>2</sup>         |
| Bending radius (stationary installation)        | $\geq$ 5 x $\emptyset$              |
| Bending radius (flexible use)                   | $\geq$ 10 x $\emptyset$             |
| Bending cycles                                  | $\geq$ 3 million                    |
| Admissible acceleration                         | max. 5 m/s <sup>2</sup>             |
| Admissible travel path, horizontal              | 5 m (at 5 m/s <sup>2</sup> )        |
| Admissible travel path, vertical                | 2 m (at 5 m/s <sup>2</sup> )        |
| Admissible traversing speed                     | 3.3 m/s                             |
| Torsional stress                                | $\pm$ 180 $^{\circ}$ /m             |
| Ambient temperature range (stationary)          | -40 $^{\circ}$ C...+80 $^{\circ}$ C |
| Ambient temperature range (In motion)           | -30 $^{\circ}$ C...+90 $^{\circ}$ C |
| Ambient temperature during drag chain operation | -25 $^{\circ}$ C...+60 $^{\circ}$ C |
| Approvals                                       | CE<br>UKCA                          |