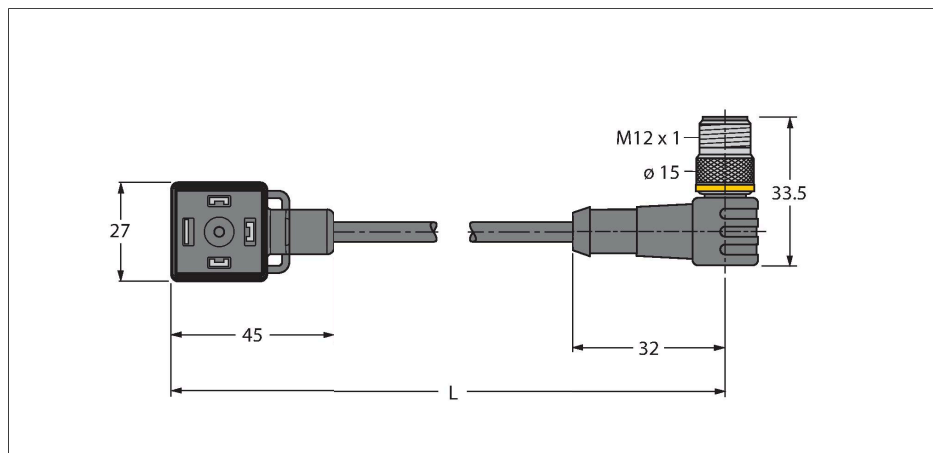


VAS04-K81E-1-WSC5T/TEL

Valve connector A type – Extension Cable



Features

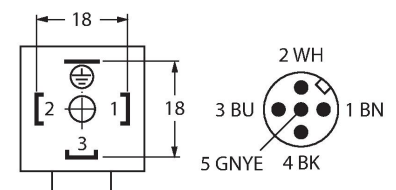


- 3-pin + PE / strand connection
- Design according to the DIN EN 175301-803
- RoHS-compliant
- Protection class: IP65, IP67, IP68
- Without protective circuitry
- M12 male, angled, 4-pin + PE
- Sheath material: PVC
- Sheath color: black
- Resistant to chemicals and oils
- Flame retardant
- Resistant to acids and alkaline solutions
- Resistant to microbes and hydrolysis
- LABS-free
- Cable length: 1.0 m

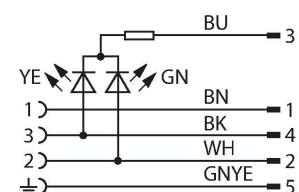
Technical data

| | |
|------------------------------|---|
| Type | VAS04-K81E-1-WSC5T/TEL |
| ID | 6606812 |
| Connector A | Valve connector, Design A |
| Number of Pins | 3+PE |
| Contacts | Metal, CuSn, Silver-plated |
| Contact carriers | Plastic, PA, Black |
| Connector body | Plastic, TPU, Black/Translucent |
| Protective component | without protective circuitry |
| Seal | Plastic, TPU |
| Display switch state | LED, Yellow/Green |
| Mechanical lifespan | > 100 Mating cycles |
| Pollution degree | 3 |
| Protection class | IP65, IP67, IP68, (mounted) |
| Connector B | Male, M12 × 1, Straight |
| Number of pins | 4+PE |
| Contacts | Metal, CuZn, Gold-plated |
| Contact carriers | Plastic, TPU, Black |
| Connector body | Plastic, TPU, Black |
| Coupling nut/retaining screw | Brass, CuZn, Nickel-plated |
| Tightening torque | 0.8 ... 1 Nm |
| Mechanical life | > 100 Mating cycles |
| Pollution degree | 3 |
| Protection class | IP67, IP69K, Only when screwed together |
| Cable diameter | Ø 5.3 mm ±0.20 |
| Cable length | 1 m |
| Cable jacket | PVC, Black |
| Core insulation | PVC |

Contact assignment



Circuit Diagram



Technical data

| | |
|---|----------------------------|
| Core cross-section | 4 x 0.34 mm ² |
| Arrangement of strands | 19 x 0.15 mm |
| Core colors | BN, WH, BU, BK, GNYE |
| Electrical properties at +20 °C | |
| Rated voltage | 24 V |
| Test voltage | 2000 V |
| Current | 4 A |
| Insulation resistance | > 1 MΩ/km |
| Insulation resistance | ≥ 10 ⁸ Ω |
| forward resistance | max. 57 Ω/km |
| Mechanical and chemical properties | |
| Bending radius (stationary installation) | ≥ 5 x Ø |
| Bending radius (flexible use) | ≥ 10 x Ø |
| Ambient temperature range (stationary) | -40 °C...+105 °C |
| Ambient temperature range (In motion) | 0 °C...+80 °C |
| Mounting screw | Brass, CuZn, nickel-plated |
| Approvals | CE UKCA |