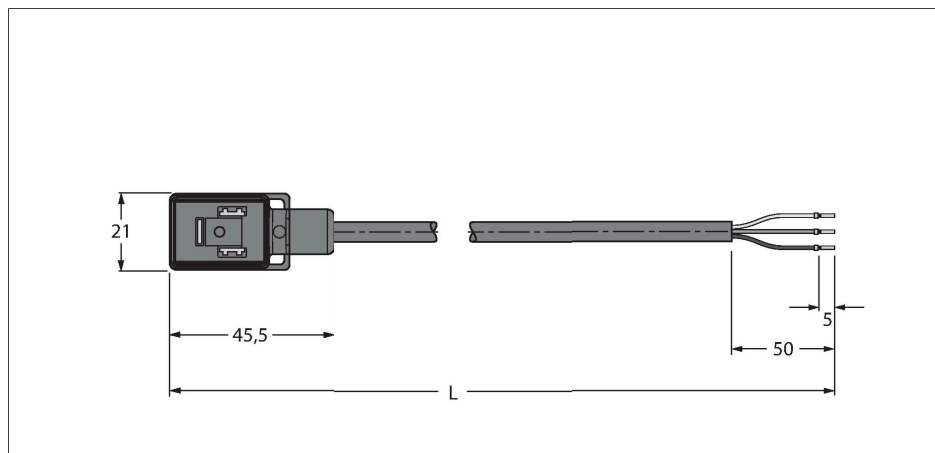


VBS02-L80E-2/TXL

Valve connector B type – Connection Cable



Features

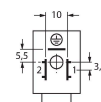


- 2-pin + PE
- Design according to the DIN EN 175301-803
- RoHS-compliant
- Protection class: IP65, IP67, IP68
- Without protective circuitry
- Jacket material: PUR
- Jacket color: black
- Suitable for drag chain use
- Resistant to chemicals and oils
- UV and ozone resistance
- Flame retardant
- Free from halogen, silicone, PVC and LABS
- Cable length: 2.0 m

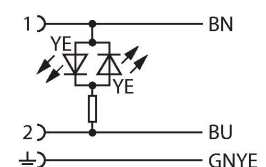
Technical data

| | |
|--|---------------------------------|
| Type | VBS02-L80E-2/TXL |
| ID | 6606822 |
| Connector A | Valve connector, Design B |
| Number of Pins | 2+PE |
| Contacts | Metal, CuSn, Silver-plated |
| Contact carriers | Plastic, PA, Black |
| Connector body | Plastic, TPU, Black/Translucent |
| Protective component | without protective circuitry |
| Seal | Plastic, TPU |
| Display switch state | LED, Yellow/Yellow |
| Mechanical lifespan | > 100 Mating cycles |
| Pollution degree | 3 |
| Protection class | IP65, IP67, IP68, (mounted) |
| Cable diameter | Ø 5.7 mm ±0.20 |
| Cable length | 2 m |
| Cable jacket | PUR, Black |
| Core insulation | PP |
| Core cross-section | 3 x 0.75 mm ² |
| Arrangement of strands | 42 x 0.15 mm |
| Core colors | BN, BU, GNYE |
| Electrical properties at +20 °C | |
| Rated voltage | 24 V |
| Test voltage | 2000 V |
| Current | 4 A |
| Insulation resistance | > 1 MΩ/km |
| Insulation resistance | ≥ 10 ⁸ Ω |
| forward resistance | max. 26 Ω/km |

Contact assignment



Circuit Diagram



Technical data

| Mechanical and chemical properties | |
|---|---|
| Max. tensile strength (static) | $\leq 50 \text{ N/mm}^2$ |
| Max. tensile strength (dynamic) | $\leq 20 \text{ N/mm}^2$ |
| Bending radius (stationary installation) | $\geq 5 \times \varnothing$ |
| Bending radius (flexible use) | $\geq 10 \times \varnothing$ |
| Bending cycles | $\geq 3 \text{ million}$ |
| Admissible acceleration | max. 5 m/s^2 |
| Admissible travel path, horizontal | 5 m (at 5 m/s^2) |
| Admissible travel path, vertical | 2 m (at 5 m/s^2) |
| Admissible traversing speed | 3.3 m/s |
| Torsional stress | $\pm 180 \text{ }^\circ/\text{m}$ |
| Ambient temperature range (stationary) | $-40 \text{ }^\circ\text{C} \dots +80 \text{ }^\circ\text{C}$ |
| Ambient temperature range (In motion) | $-30 \text{ }^\circ\text{C} \dots +90 \text{ }^\circ\text{C}$ |
| Ambient temperature during drag chain operation | $-25 \text{ }^\circ\text{C} \dots +60 \text{ }^\circ\text{C}$ |
| Mounting screw | Brass, CuZn, nickel-plated |