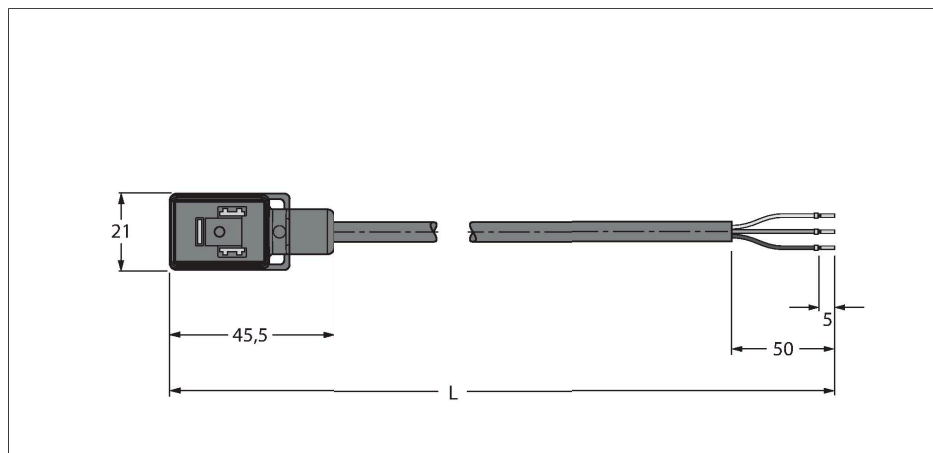


# VBS02-E80E-10/TEL

## Valve connector B type – Connection Cable



### Features

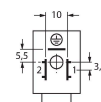


- 2-pin + PE
- Design according to the DIN EN 175301-803
- RoHS-compliant
- Protection class: IP65, IP67, IP68
- Protective component: Varistor
- Sheath material: PVC
- Sheath color: black
- Resistant to chemicals and oils
- Flame retardant
- Resistant to acids and alkaline solutions
- Resistant to microbes and hydrolysis
- LABS-free
- Cable length: 10 m

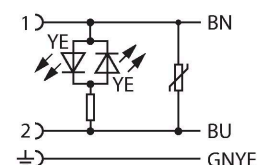
### Technical data

|  |                                 |
|--|---------------------------------|
| Type                                   | VBS02-E80E-10/TEL               |
| ID                                     | 6606836                         |
| Connector A                            | Valve connector, Design B       |
| Number of Pins                         | 2+PE                            |
| Contacts                               | Metal, CuSn, Silver-plated      |
| Contact carriers                       | Plastic, PA, Black              |
| Connector body                         | Plastic, TPU, Black/Translucent |
| Protective component                   | Varistor                        |
| Seal                                   | Plastic, TPU                    |
| Display switch state                   | LED, Yellow/Yellow              |
| Mechanical lifespan                    | > 100 Mating cycles             |
| Pollution degree                       | 3                               |
| Protection class                       | IP65, IP67, IP68, (mounted)     |
| Cable diameter                         | Ø 6.1 mm ±0.20                  |
| Cable length                           | 10 m                            |
| Cable jacket                           | PVC, Black                      |
| Core insulation                        | PVC                             |
| Core cross-section                     | 3 x 0.75 mm <sup>2</sup>        |
| Arrangement of strands                 | 24 x 0.195 mm                   |
| Core colors                            | BN, BU, GNYE                    |
| <b>Electrical properties at +20 °C</b> |                                 |
| Rated voltage                          | 230 V                           |
| Test voltage                           | 2000 V                          |
| Current                                | 4 A                             |
| Insulation resistance                  | > 1 MΩ/km                       |
| Insulation resistance                  | ≥ 10 <sup>8</sup> Ω             |
| forward resistance                     | max. 57 Ω/km                    |

### Contact assignment



### Circuit Diagram



## Technical data

### Mechanical and chemical properties

|  |                              |
|--|------------------------------|
| Bending radius (stationary installation) | $\geq 5 \times \varnothing$  |
| Bending radius (flexible use)            | $\geq 10 \times \varnothing$ |
| Ambient temperature range (stationary)   | -40 °C...+105 °C             |
| Ambient temperature range (In motion)    | 0 °C...+80 °C                |
| Mounting screw                           | Brass, CuZn, nickel-plated   |