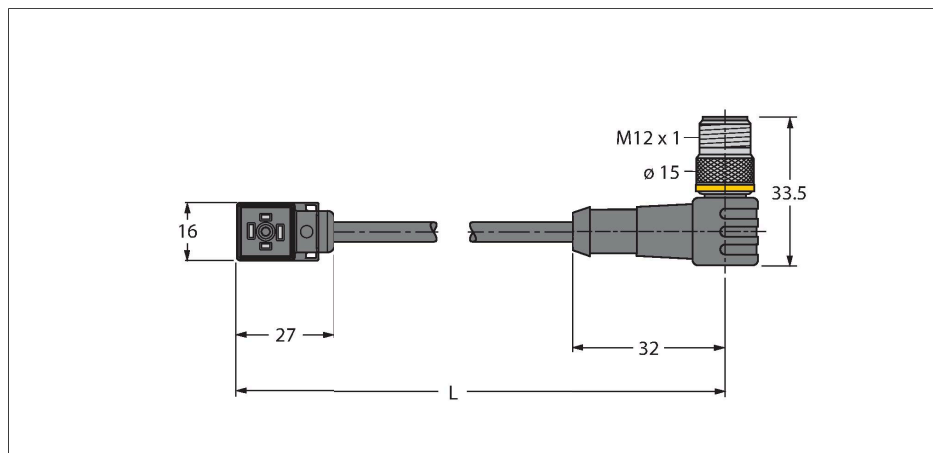


# VC8S22-T80E-1-WSC5.31T/TXL

## Valve connector C type



### Features



- 2-pin + PE, bridged
- Design according to the DIN EN 175301-803
- RoHS-compliant
- Protection class: IP65, IP67, IP68
- Protective component: Z-Diode
- M12 male, angled, 2-pin + PE
- Jacket material: PUR
- Jacket color: black
- Suitable for drag chain use
- Resistant to chemicals and oils
- UV and ozone resistance
- Flame retardant
- Free from halogen, silicone, PVC and LABS
- Cable length: 1.0 m

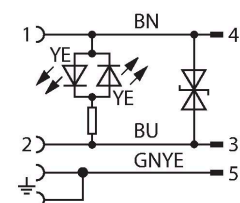
### Technical data

Type	VC8S22-T80E-1-WSC5.31T/TXL
ID	6606878
Connector A	Valve connector, Design C
Number of Pins	2+PE, PE bridged
Contacts	Metal, CuSn, Silver-plated
Contact carriers	Plastic, PA, Black
Connector body	Plastic, TPU, Black/Translucent
Protective component	Z diode
Seal	Plastic, TPU
Display switch state	LED, Yellow/Yellow
Mechanical lifespan	> 100 Mating cycles
Pollution degree	3
Protection class	IP65, IP67, IP68, (mounted)
Connector B	Male, Angled
Cable diameter	Ø 5.2 mm ±0.20
Cable length	1 m
Cable jacket	PUR, Black
Core insulation	PP
Core cross-section	3 x 0.75 mm <sup>2</sup>
Arrangement of strands	42 x 0.1 mm
Core colors	BN, BU, GNYE
<b>Electrical properties at +20 °C</b>	
Rated voltage	24 V
Test voltage	2000 V
Current	4 A
Insulation resistance	> 1 MΩ/km
Insulation resistance	≥ 10 <sup>8</sup> Ω

### Contact assignment



### Circuit Diagram



## Technical data

forward resistance max. 57  $\Omega$ /km

### Mechanical and chemical properties

Max. tensile strength (static)  $\leq 50 \text{ N/mm}^2$

Max. tensile strength (dynamic)  $\leq 20 \text{ N/mm}^2$

Bending radius (stationary installation)  $\geq 5 \times \varnothing$

Bending radius (flexible use)  $\geq 10 \times \varnothing$

Bending cycles  $\geq 3$  million

Admissible acceleration max. 5  $\text{m/s}^2$

Admissible travel path, horizontal 5 m (at 5  $\text{m/s}^2$ )

Admissible travel path, vertical 2 m (at 5  $\text{m/s}^2$ )

Admissible traversing speed 3.3 m/s

Torsional stress  $\pm 180^\circ/\text{m}$

Ambient temperature range (stationary)  $-40^\circ\text{C} \dots +80^\circ\text{C}$

Ambient temperature range (In motion)  $-30^\circ\text{C} \dots +90^\circ\text{C}$

Ambient temperature during drag chain operation  $-25^\circ\text{C} \dots +60^\circ\text{C}$

Mounting screw Brass, CuZn, nickel-plated