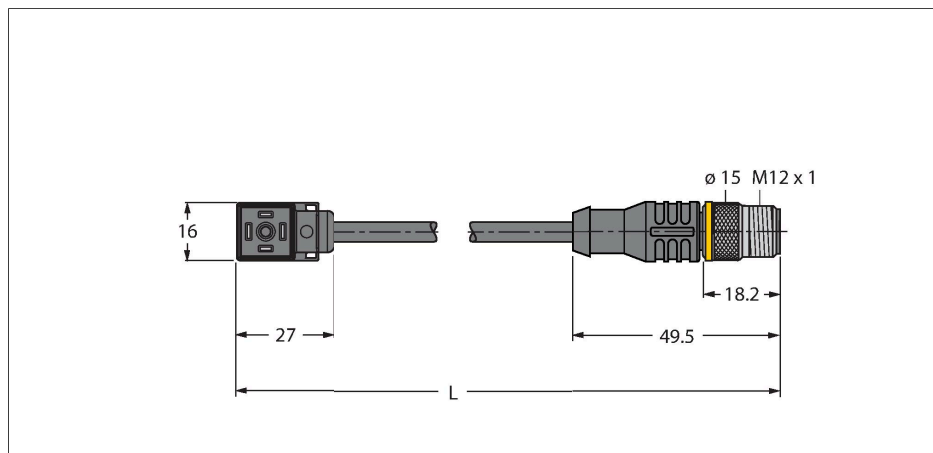


VC9S22-T80E-0.6-RSC5.31T/TXL

Valve connector CI type



Features

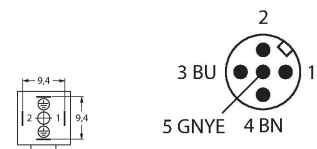


- 2-pin + PE, bridged
- Design according to the DIN EN 175301-803
- RoHS-compliant
- Protection class: IP65, IP67, IP68
- Protective component: Z-diode
- M12 male, straight, 2-pin + PE
- Jacket material: PUR
- Jacket color: black
- Suitable for drag chain use
- Resistant to chemicals and oils
- UV and ozone resistance
- Flame retardant
- Free from halogen, silicone, PVC and LABS
- Cable length: 0.6 m

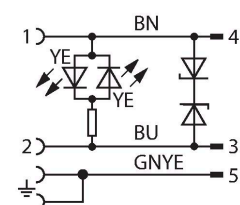
Technical data

| | |
|----------------------------------------|---------------------------------|
| Type | VC9S22-T80E-0.6-RSC5.31T/TXL |
| ID | 6606910 |
| Connector A | Valve connector, Design CI |
| Number of Pins | 2+PE, PE bridged |
| Contacts | Metal, CuSn, Silver-plated |
| Contact carriers | Plastic, PA, Black |
| Connector body | Plastic, TPU, Black/Translucent |
| Protective component | Z diode |
| Seal | Plastic, TPU |
| Display switch state | LED, Yellow/Yellow |
| Mechanical lifespan | > 100 Mating cycles |
| Pollution degree | 3 |
| Protection class | IP65, IP67, IP68, (mounted) |
| Connector B | Male, Straight |
| Cable diameter | Ø 5.2 mm ±0.20 |
| Cable length | 0.6 m |
| Cable jacket | PUR, Black |
| Core insulation | PP |
| Core cross-section | 3 x 0.75 mm ² |
| Arrangement of strands | 42 x 0.1 mm |
| Core colors | BN, BU, GNYE |
| Electrical properties at +20 °C | |
| Rated voltage | 24 V |
| Test voltage | 2000 V |
| Current | 4 A |
| Insulation resistance | > 1 MΩ/km |
| Insulation resistance | ≥ 10 ⁸ Ω |

Contact assignment



Circuit Diagram



Technical data

forward resistance max. 57 Ω /km

Mechanical and chemical properties

Max. tensile strength (static) $\leq 50 \text{ N/mm}^2$

Max. tensile strength (dynamic) $\leq 20 \text{ N/mm}^2$

Bending radius (stationary installation) $\geq 5 \times \varnothing$

Bending radius (flexible use) $\geq 10 \times \varnothing$

Bending cycles ≥ 3 million

Admissible acceleration max. 5 m/s^2

Admissible travel path, horizontal 5 m (at 5 m/s^2)

Admissible travel path, vertical 2 m (at 5 m/s^2)

Admissible traversing speed 3.3 m/s

Torsional stress $\pm 180^\circ/\text{m}$

Ambient temperature range (stationary) $-40^\circ\text{C} \dots +80^\circ\text{C}$

Ambient temperature range (In motion) $-30^\circ\text{C} \dots +90^\circ\text{C}$

Ambient temperature during drag chain operation $-25^\circ\text{C} \dots +60^\circ\text{C}$

Mounting screw Brass, CuZn, nickel-plated