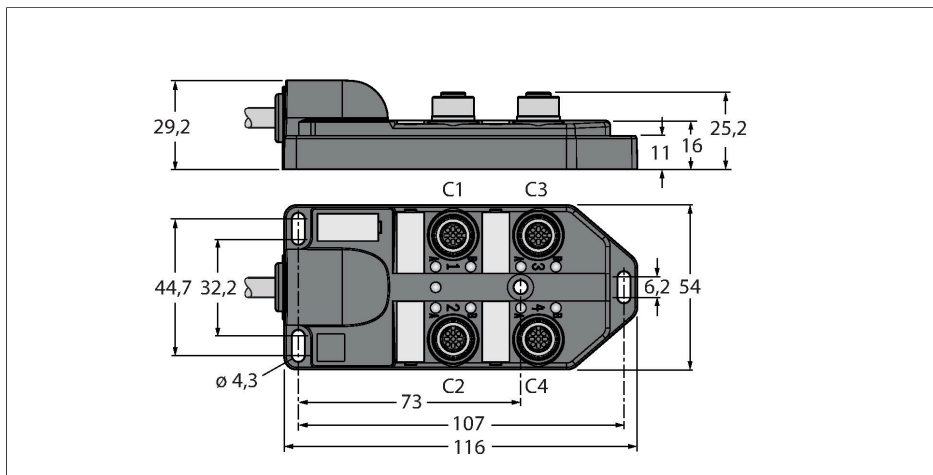


# TB-4M12-4P2-10/TXL

## Passive Actuator/Sensor Box, M12 × 1 – With Homerun Cable, 4-port



### Technical data

Type	TB-4M12-4P2-10/TXL
ID no.	6611912
Distributed I/O	4, with integral homerun cable
Housing	Plastic, PA, Black
Display operating voltage	LED, green
Display switching state	LED, yellow
Switching function	PNP
I/O port	M12 x 1
Number of Pins	3+PE
Contacts	Brass, CuZn, Gold-plated
Contact carriers	Plastic, PA, Black
Seal	Plastic, FPM/FKM
Mechanical lifespan	> 100 Mating cycles
Group terminal	Cable
Cable diameter	Ø 6.73 mm
Cable length	10 m
Cable jacket	PUR, Black
Core insulation	PVC
Core cross-section	4 x 0.82 mm <sup>2</sup>
Cable conductor cross-section	3x 0.82 mm <sup>2</sup>
Core colors	WH, GN, YE, GY
Core colors	BN, BU, GNYE
<b>Electrical properties at +20 °C</b>	
Rated voltage	30 V
Current	2 A per signal contact, total current 9 A

### Features



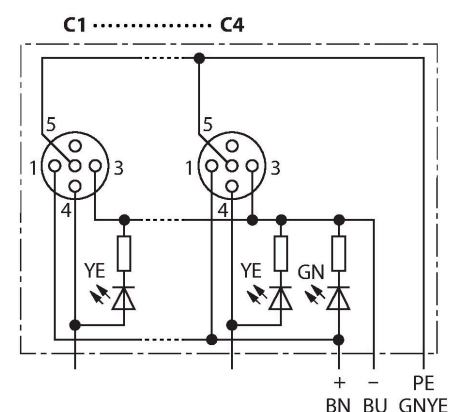
- Housing material: Nylon
- Housing color: black
- Protection class IP67
- RoHS-compliant
- CE compliant
- LED (PNP circuit)
- I/O port (number of pins): 3-pin + PE

### Contact assignment

I/O Connector

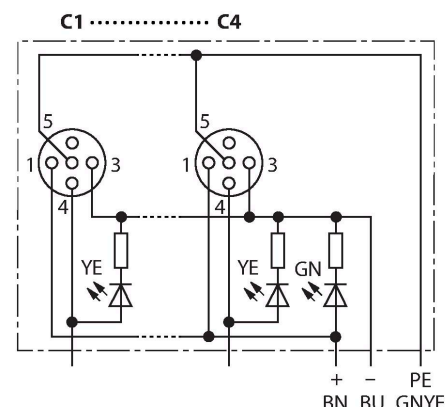


### Circuit Diagram



## Technical data

Insulation resistance	$\geq 10^8 \Omega$
forward resistance	$\leq 5 \text{ m}\Omega$
<b>Mechanical and chemical properties</b>	
Bending radius (stationary installation)	$\geq 5 \times \varnothing$
Bending radius (flexible use)	$\geq 15 \times \varnothing$
Ambient temperature range (stationary)	$-40 \text{ }^\circ\text{C} \dots +85 \text{ }^\circ\text{C}$



### Wiring

Port/Pin	C1/4	C2/4	C3/4	C4/4
M23 flange	1	2	3	4
Cable	WH	GN	YE	GY

Power C1-C4	24 V	0 V	PE
M23 flange	11	9 + 10	12
Cable	BN	BU	GNYE

### Scope of delivery

Device	Quantity	Description
Junction boxes	1	Passive actuator/sensor junction box
VS-M12-BK	2	Closure caps for M12 female connectors
KS9/20	5	Labels

### Accessories

Ident-No.	Designation	Description
6900197	CK12-0	Field-wireable female M23, 12-pin, straight
6931889	CS12-0	Field-wireable male M23, 12-pin, straight
6625616	RKC5T-2-RSC5T/TXL	Actuator/sensor cable, female M12 - male M12, straight, 5-pin, 2 m *
6936055	VS-M12-BK	Closure caps for M12 female connectors
8015002	KS9/20	Labels

\* Other lengths available on request