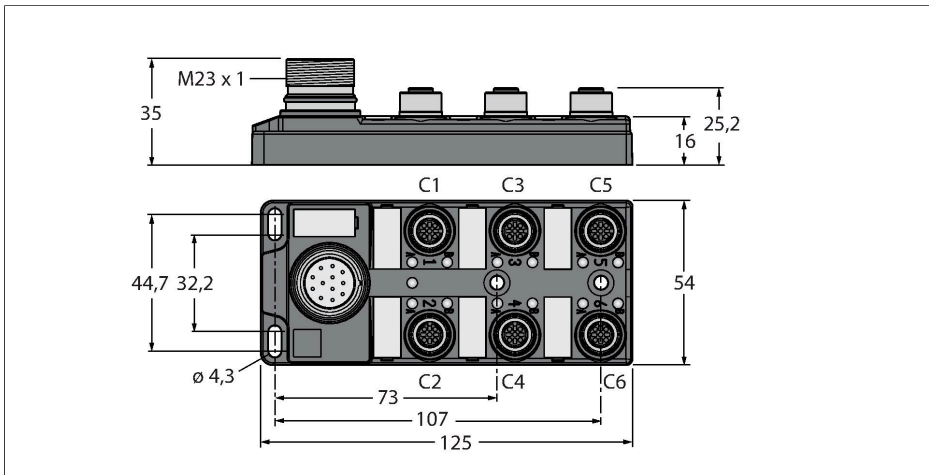


# TB-6M12-5-CS19T

Passive actuator/sensor junction box, M12 x 1 – 6-port, with male M23 for incoming line



## Features



- Housing material: Nylon
- Housing color: black
- Protection class IP67
- RoHS-compliant
- CE compliant
- I/O port (number of pins): 4-pin + PE

## Technical data

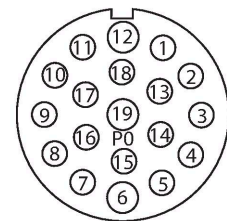
Type	TB-6M12-5-CS19T
ID no.	6611921
Distributed I/O	6, with male end M23 x 1
Housing	Plastic, PA, Black
I/O port	M12 x 1
Number of Pins	4+PE
Contacts	Brass, CuZn, Gold-plated
Contact carriers	Plastic, PA, Black
Seal	Plastic, FPM/FKM
Mechanical lifespan	> 100 Mating cycles
Group terminal	M23
Connector B	Male Receptacle, M23 x 1
Number of pins	19
Contacts	Metal, CuZn, Gold-plated
Contact carriers	PBT, Black
Seal	Plastic, NBR
Mechanical lifespan	> 100 Mating cycles
<b>Electrical properties at +20 °C</b>	
Rated voltage	30 V
Current	2 A per signal contact, total current 9 A
Insulation resistance	≥ 10 <sup>8</sup> Ω
forward resistance	≤ 5 mΩ
<b>Mechanical and chemical properties</b>	
Ambient temperature range (stationary)	-40 °C...+85 °C

## Contact assignment

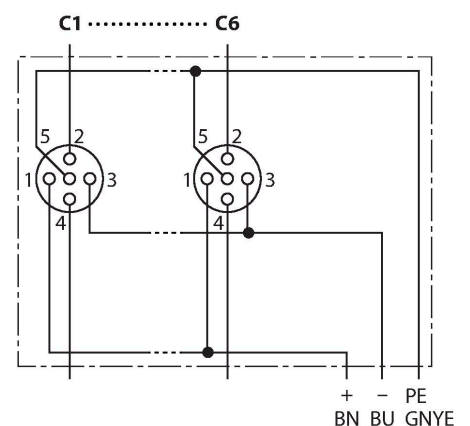
I/O Connector

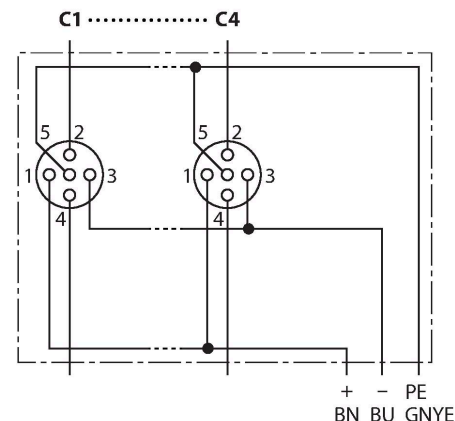


## M23 x 1 Male Receptacle



## Circuit Diagram





### Wiring

Port/Pin	C1/2	C1/4	C2/2	C2/4	C3/2	C3/4	C4/2	C4/4
M23 flange	7	15	4	5	8	16	14	3
Cable	GYPK	WH	RDBU	GN	WHGN	YE	BNGN	GY

Port/Pin	C5/2	C5/4	C6/2	C6/4
M23 flange	9	17	13	2
Cable	WHYE	PK	YEBN	RD

Power C1-C8	24 V	0 V	PE
M23 flange	19	6	12
Cable	BN	BU	GNYE

### Scope of delivery

Device	Quantity	Description
Junction boxes	1	Passive actuator/sensor junction box
VS-M12-BK	2	Closure caps for M12 female connectors
KS9/20	7	Labels

### Accessories

Ident-No.	Designation	Description
6900196	CK19-0	Field-wireable female M23, 19-pin, straight
6930225	CS19-0	Field-wireable male M23, 19-pin, straight
6931765	CKM19-19-5/S101	Connection cable, M23 female, straight, 19-pin, 5 m*
6931766	CKM19-19-10/S101	Connection cable, M23 female, straight, 19-pin, 10 m*
6931890	CKWM19-19-5/S101	Connection cable, M23 female, angled, 19-pin, 5 m*
6931891	CK- WM19-19-10/S101	Connection cable, M23 female, angled, 19-pin, 10 m*
6931767	CSM-CKM19-19-5/ S101	Extension cable, male M23 - female M23, straight, 19-pin, 5 m *
6931768	CSM-CKM19-19-10/ S101	Extension cable, male M23 - female M23, straight, 19-pin, 10 m *
6931892	CSM-CK- WM19-19-5/S101	Extension cable, male M23 straight - female M23 angled, 19-pin, 5 m *
6931893	CSM-CK- WM19-19-10/S101	Extension cable, male M23 straight - female M23 angled, 19-pin, 10 m *
6625616	RKC5T-2-RSC5T/ TXL	Actuator/sensor cable, female M12 - male M12, straight, 5-pin, 2 m *
6936055	VS-M12-BK	Closure caps for M12 female connectors
8015002	KS9/20	Labels

\* Other lengths available on request