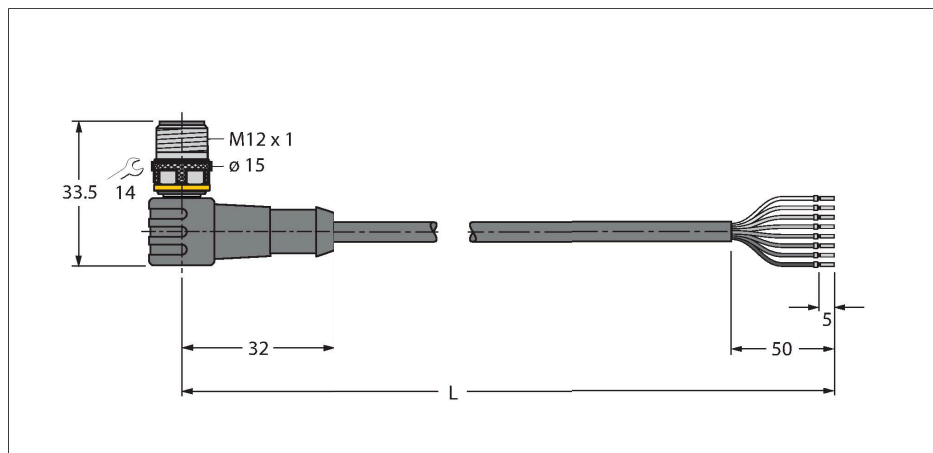


WSC8T-2/TXL

Actuator and Sensor Cable, PUR – Connection Cable



Features

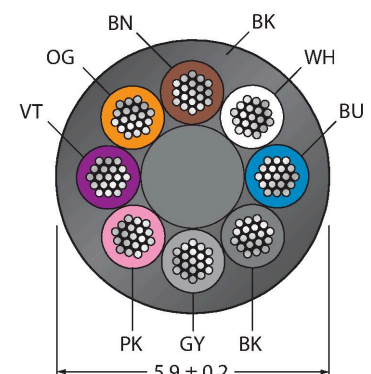


- Male M12, angled, 8-pin
- Jacket material: PUR
- Jacket color: black
- Suitable for drag chain use
- Resistant to chemicals, UV radiation and oils
- Flame retardant (FT2 acc. to UL 1581, IEC 60332-2-2)
- Resistant to welding sparks
- Free from halogen, silicone, PVC and LABS
- Particularly resistant to abrasion
- Protection class: IP67, IP69K
- Cable length: 2.0 m

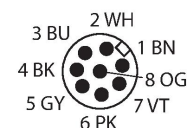
Technical data

| | |
|---|--|
| Type | WSC8T-2/TXL |
| ID | 6625151 |
| Connector A | Male, M12 × 1, Angled, A-coded |
| Number of Pins | 8 |
| Contacts | Brass, CuZn, Gold-plated |
| Contact carriers | Plastic, TPU, Black |
| Connector body | Plastic, TPU, Black |
| Coupling nut/screw | Brass, CuZn, Nickel-plated |
| Mechanical lifespan | > 100 Mating cycles |
| Pollution degree | 3 |
| Protection class | IP67, IP69K, Only in screwed condition |
| Cable | |
| Cable diameter | Ø 5.9 mm ±0.20 |
| Cable length | 2 m |
| Cable jacket | PUR, Black |
| Core insulation | PP |
| Core cross-section | 8 x 0.25 mm ² |
| Arrangement of strands | 32 x 0.1 mm |
| Core colors | BN, WH, BU, BK, GY, PK, VT, OG |
| Electrical properties at +20 °C | |
| Rated voltage | 30 V |
| Test voltage | 2000 V |
| Current | 2 A |
| Insulation resistance | > 30.5 MΩ/km |
| forward resistance | max. 79 Ω/km |
| Mechanical and chemical properties | |
| Bending radius (stationary installation) | ≥ 5 x Ø |

Cable Cross-Section



Contact assignment



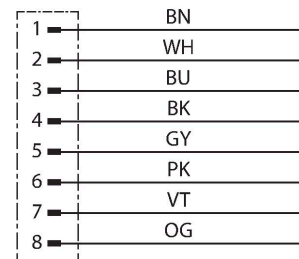
Functional principle

Drawing shows design status including hexagon coupling nut (Production start CW11/2016). Wiring diagram shows contact assignment acc. to DIN EN 60947-5-2 (Production start CW16/2017).

Technical data

| | |
|---|------------------------------|
| Bending radius (flexible use) | $\geq 10 \times \varnothing$ |
| Bending cycles | ≥ 5 million |
| Admissible acceleration | max. 5 m/s ² |
| Admissible travel path, horizontal | 5 m (at 5 m/s ²) |
| Admissible travel path, vertical | 2 m (at 5 m/s ²) |
| Admissible traversing speed | 3.3 m/s |
| Torsional stress | ± 180 °/m |
| Ambient temperature range (stationary) | -50 °C...+80 °C |
| Ambient temperature range (In motion) | -25 °C...+80 °C |
| Ambient temperature during drag chain operation | -25 °C...+60 °C |
| Approvals | cULus |

Circuit Diagram



Stranded Wire Colors

| Pin | DIN 47100 (old) | DIN EN 60947-5-2 (new) |
|-----|-----------------|------------------------|
| 1 | WH | BN |
| 2 | BN | WH |
| 3 | GN | BU |
| 4 | YE | BK |
| 5 | GY | GY |
| 6 | PK | PK |
| 7 | BU | VT |
| 8 | RD | OG |

Accessories

B8181-0 6904605

Field-wireable female connector, M12 × 1, straight, 8-pin, screw terminal connection, cable feedthrough 6.0 to 8.0 mm, core cross-section/terminal capacity 0.14 to 0.50 mm², plastic housing, metal nut

B8281-0 6934339

Field-wireable female connector, M12 × 1, angled, 8-pin, screw terminal connection, cable feedthrough 6.0 to 8.0 mm, core cross-section/terminal capacity 0.14 to 0.50 mm², plastic housing, metal nut

CMB8181-0 6931450

Field-wireable female connector, M12 × 1, straight, 8-pin, screw terminal connection, cable feedthrough 6.0 to 8.0 mm, core cross-section/terminal capacity 0.14 to 0.50 mm², metal housing, metal nut, shieldable

CMB8281-0 6932024

Field-wireable female connector, M12 × 1, angled, 8-pin, screw terminal connection, cable feedthrough 6.0 to 8.0 mm, core cross-section/terminal capacity 0.14 to 0.50 mm², metal housing, metal nut, shieldable

TORQUE-WRENCH-SET-AS

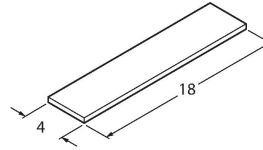
6936170



Torque wrench set; handles with adjustable torque 0.4-1.0 Nm, torque wrench for M8 (SW9), fork wrench for M12 (SW 14)

BLANK-LABEL-FOR-CORDSETS-TEL-TXL

6936206



Label for TEL and TXL cables, length: 18 mm, height: 4 mm, material: polycarbonate (PC), color: white, halogen-free and flame-retardant