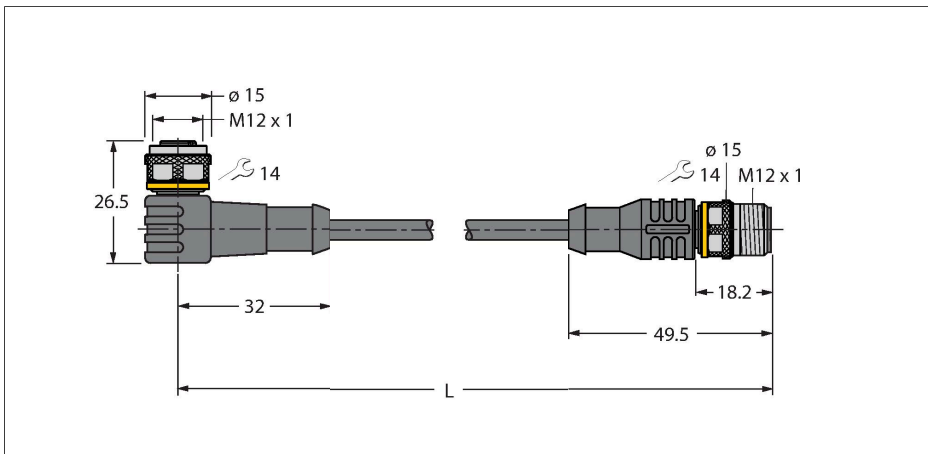


WKC12T-2-RSC12T/TXL

Actuator and Sensor Cable, PUR – Extension Cable



Technical data

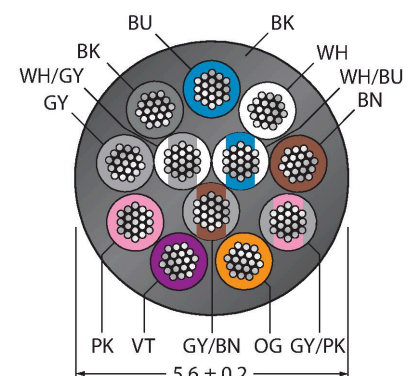
| | |
|------------------------------|---|
| Type | WKC12T-2-RSC12T/TXL |
| ID | 6625366 |
| Connector A | Female, M12 × 1, Angled, A-coded |
| Number of Pins | 12 |
| Contacts | Brass, CuZn, Gold-plated |
| Contact carriers | Plastic, TPU, Black |
| Connector body | Plastic, TPU, Black |
| Coupling nut/screw | Brass, CuZn, Nickel-plated |
| Seal | Plastic, FPM/FKM |
| Mechanical lifespan | > 100 Mating cycles |
| Pollution degree | 3 |
| Protection class | IP67, IP69K, Only in screwed condition |
| Connector B | Male, M12 × 1, Straight, A-coded |
| Number of pins | 12 |
| Contacts | Brass, CuZn, Gold-plated |
| Contact carriers | Plastic, TPU, Black |
| Connector body | Plastic, TPU, Black |
| Coupling nut/retaining screw | Brass, CuZn, Nickel-plated |
| Mechanical life | > 100 Mating cycles |
| Pollution degree | 3 |
| Protection class | IP67, IP69K, Only when screwed together |
| Cable | |
| Cable diameter | Ø 5.6 mm ±0.20 |
| Cable length | 2 m |
| Cable jacket | PUR, Black |
| Core insulation | PP |
| Core cross-section | 12 x 0.14 mm ² |

Features



- Female M12, angled, 12-pin
- Male M12, straight, 12-pin
- Jacket material: PUR
- Jacket color: black
- Suitable for drag chain use
- Resistant to chemicals, UV radiation and oils
- Flame retardant (FT2 acc. to UL 1581, IEC 60332-2-2)
- Resistant to welding sparks
- Free from halogen, silicone, PVC and LABS
- Particularly resistant to abrasion
- Protection class: IP67, IP69K
- Cable length: 2.0 m

Cable Cross-Section



Contact assignment

Technical data

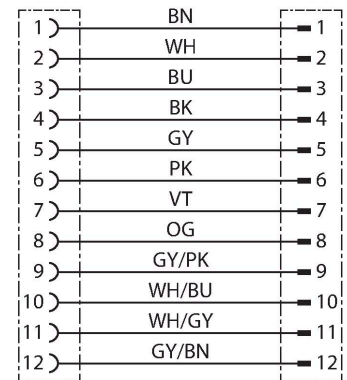
| | |
|---|--|
| Arrangement of strands | 18 x 0.1 mm |
| Core colors | BN, WH, BU, BK, GY, PK, VT, OG, GY/ PK, WH/BU, WH/GY, GY/BN |
| Electrical properties at +20 °C | |
| Rated voltage | 30 V |
| Test voltage | 2000 V |
| Current | 1.5 A |
| Insulation resistance | > 30.5 MΩ/km |
| forward resistance | max. 138 Ω/km |
| Mechanical and chemical properties | |
| Bending radius (stationary installation) | ≥ 5 x Ø |
| Bending radius (flexible use) | ≥ 10 x Ø |
| Bending cycles | ≥ 5 million |
| Admissible acceleration | max. 5 m/s ² |
| Admissible travel path, horizontal | 5 m (at 5 m/s ²) |
| Admissible travel path, vertical | 2 m (at 5 m/s ²) |
| Admissible traversing speed | 3.3 m/s |
| Torsional stress | ± 180 °/m |
| Ambient temperature range (stationary) | -50 °C...+80 °C |
| Ambient temperature range (In motion) | -25 °C...+80 °C |
| Ambient temperature during drag chain operation | -25 °C...+60 °C |
| Approvals | cULus |



Functional principle

Drawing shows design status including hexagon coupling nut (Production start CW11/2016). Wiring diagram shows contact assignment acc. to DIN EN 60947-5-2 (Production start CW16/2017).

Circuit Diagram



Stranded Wire Colors

| Pin | DIN 47100 (old) | DIN EN 60947-5-2 (new) |
|-----|-----------------|------------------------|
| 1 | BN | BN |
| 2 | BU | WH |
| 3 | WH | BU |
| 4 | GN | BK |
| 5 | PK | GY |
| 6 | YE | PK |
| 7 | BK | VT |
| 8 | GY | OG |
| 9 | RD | GY/PK |
| 10 | VT | WH/BU |
| 11 | GY/PK | WH/GY |
| 12 | RD/BU | GY/BN |

Accessories

TORQUE-WRENCH-SET-AS

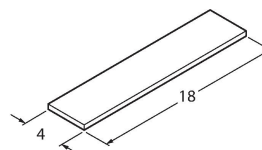
6936170



Torque wrench set; handles with adjustable torque 0.4-1.0 Nm, torque wrench for M8 (SW9), fork wrench for M12 (SW 14)

BLANK-LABEL-FOR-CORDSETS-TEL-TXL

6936206



Label for TEL and TXL cables, length: 18 mm, height: 4 mm, material: polycarbonate (PC), color: white, halogen-free and flame-retardant