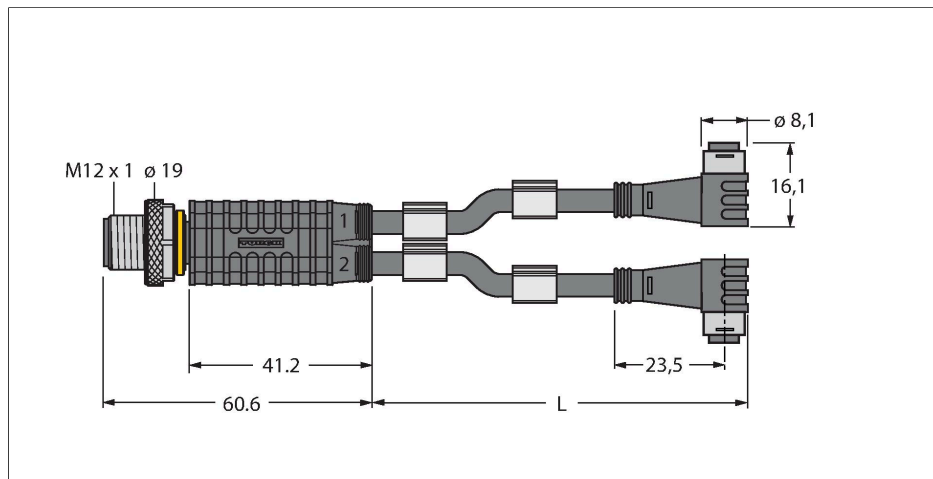


# VBRS4.4-2PKW3S-1.5/1.5/TXL

## 2-Way Splitter – Y-Splitter with Cable, Male M12 × 1 - 2x Female Ø 8 mm



### Features

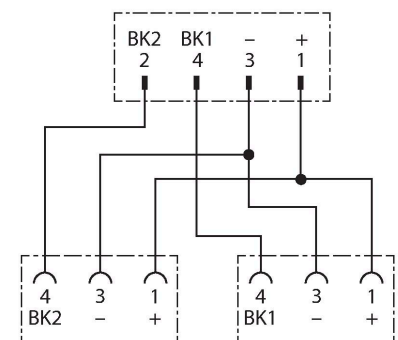
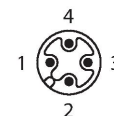


- Jacket material: PUR
- Jacket color: black
- Suitable for drag chain use
- Resistant to chemicals, UV radiation and oils
- Flame-retardant (FT2 in accordance with UL 1581, IEC 60332-2-2)
- Free from halogen, silicone, PVC and LABS
- Particularly resistant to abrasion
- RoHS-compliant
- Protection class: IP67
- 4/3-pin
- Cable length: 1.5/1.5 meter

### Technical data

|                           |  |
|---------------------------|--|
| Type                      | VBRS4.4-2PKW3S-1.5/1.5/TXL                                 |
| ID                        | 6630434  |
| Distributed I/O           | Junction Boxes, 2 -port                                    |
| Connector A               | Male, M12 × 1, Straight                                    |
| Number of Pins            | 4  |
| Contacts                  | Metal, CuZn, Gold-plated                                   |
| Contact carriers          | Plastic, TPU, Black  |
| Connector body            | Plastic, TPU, Black  |
| Coupling nut/screw        | Brass, CuZn, Nickel-plated                                 |
| Tightening torque (range) | 0.8 ... 1 Nm<br>(observe max. torque of mating connector!) |
| Mechanical lifespan       | > 100 Mating cycles  |
| Pollution degree          | 3  |
| Protection class          | IP67, Only in screwed condition                            |
| Connector B               | 2 x Female, Ø 8 mm, Angled                                 |
| Number of pins            | 3  |
| Contacts                  | Metal, CuZn, Gold-plated                                   |
| Contact carriers          | Plastic, TPU, Black  |
| Connector body            | Plastic, TPU, Black  |
| Seal                      | Plastic, FPM/FKM   |
| Mechanical life           | > 100 Mating cycles  |
| Pollution degree          | 3  |
| Protection class          | IP67, Only when screwed together                           |
| Cable diameter            | Ø 4.3 mm ±0.20   |
| Cable length              | 1.5 m, 1.5 m   |

### Contact assignment



## Technical data

|   |                              |
|---|------------------------------|
| Cable jacket                                    | PUR, Black                   |
| Core insulation                                 | PP                           |
| Core cross-section                              | 3 x 0.34 mm <sup>2</sup>     |
| Arrangement of strands                          | 42 x 0.1 mm                  |
| Core colors                                     | BN, BU, BK                   |
| <b>Electrical properties at +20 °C</b>          |                              |
| Rated voltage                                   | 60 V                         |
| Test voltage                                    | 2000 V                       |
| Current   | 4 A                          |
| Insulation resistance                           | > 30.5 MΩ/km                 |
| forward resistance                              | max. 57.5 Ω/km               |
| <b>Mechanical and chemical properties</b>       |                              |
| Max. tensile strength (static)                  | ≤ 50 N/mm <sup>2</sup>       |
| Max. tensile strength (dynamic)                 | ≤ 20 N/mm <sup>2</sup>       |
| Bending radius (stationary installation)        | ≥ 5 x Ø                      |
| Bending radius (flexible use)                   | ≥ 10 x Ø                     |
| Bending cycles                                  | ≥ 5 million                  |
| Admissible acceleration                         | max. 5 m/s <sup>2</sup>      |
| Admissible travel path, horizontal              | 5 m (at 5 m/s <sup>2</sup> ) |
| Admissible traversing speed                     | 3.3 m/s                      |
| Torsional stress                                | ± 180 °/m                    |
| Ambient temperature range (stationary)          | -50 °C...+80 °C              |
| Ambient temperature range (In motion)           | -25 °C...+80 °C              |
| Ambient temperature during drag chain operation | -25 °C...+60 °C              |
| Approvals                                       | CE<br>UKCA                   |

## Accessories

### TORQUE-WRENCH-SET-AS

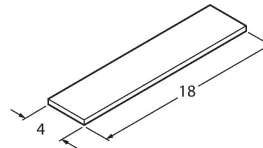
6936170



Torque wrench set; handles with adjustable torque 0.4-1.0 Nm, torque wrench for M8 (SW9), fork wrench for M12 (SW 14)

### BLANK-LABEL-FOR-CORDSETS-TEL-TXL

6936206



Label for TEL and TXL cables, length: 18 mm, height: 4 mm, material: polycarbonate (PC), color: white, halogen-free and flame-retardant