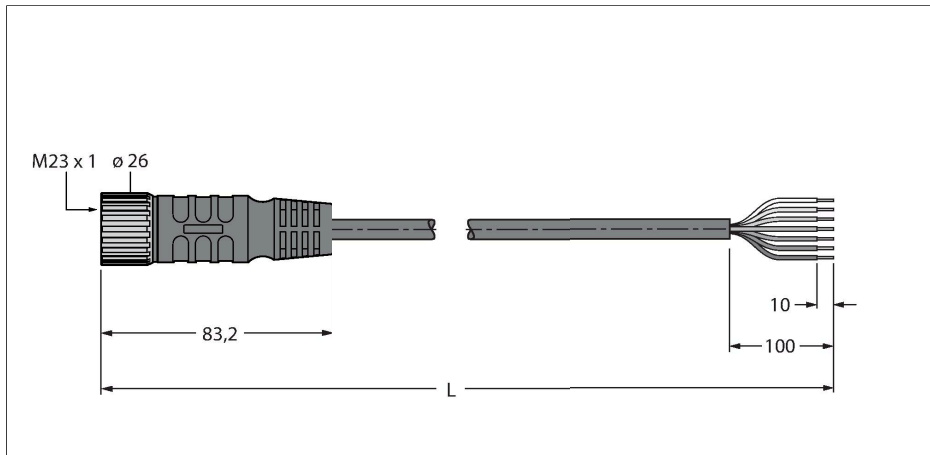


# CKCM12-7-10/TXL

## Supply Cable for Multiple Passive Junction Box, TPU – Connection Cable



### Features

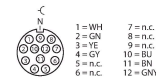


- M23 female connector, straight, 12-pin (7 assigned)
- Jacket material: TPU
- Jacket color: black
- Flame retardant acc. to FT1
- Free from halogen, silicone and PVC
- Particularly resistant to abrasion
- RoHS compliant
- Protection class IP67
- Cable length: 10 m

### Technical data

Type	CKCM12-7-10/TXL
ID	6631123
Connector A	Female, M23 × 1, Straight
Number of Pins	12
Contacts	Brass, CuZn, Gold-plated
Contact carriers	Plastic, PBT, Gray
Connector body	Plastic, TPU, Black
Coupling nut/screw	Brass, CuZn, Nickel-plated
Seal	Plastic, FPM/FKM
Mechanical lifespan	> 100 Mating cycles
Pollution degree	3
Protection class	IP67, Only in screwed condition
<b>Cable</b>	
Cable diameter	Ø 6.7 mm ±0.30
Cable length	10 m
Cable jacket	TPU, Black
Core insulation	PP
Core cross-section	7 x 0.82 mm <sup>2</sup>
Arrangement of strands	19 x 0.23 mm
Core colors	WH, GN, YE, GY, BU, BN, GNYE
<b>Electrical properties at +20 °C</b>	
Rated voltage	300 V
Current	6 A
<b>Mechanical and chemical properties</b>	
Bending radius (stationary installation)	≥ 5 x Ø
Bending radius (flexible use)	≥ 10 x Ø

### Contact assignment



## Technical data

Ambient temperature range (stationary) -40 °C...+80 °C

---