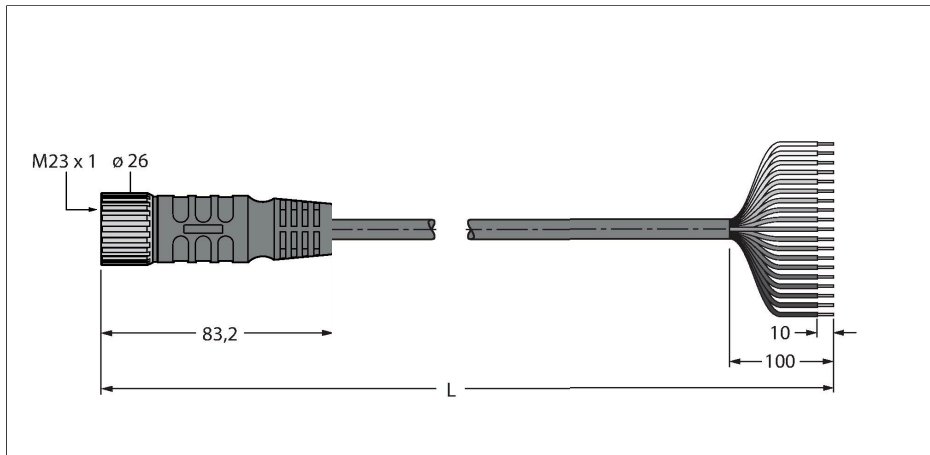


CKM19-19-5/TXL

Supply Cable for Multiple Passive Junction Box, TPU – Connection Cable

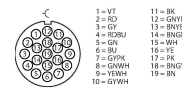


Features



- M23 female, straight, 19-pin
- Jacket material: TPU
- Jacket color: black
- Flame retardant acc. to FT1
- Free from halogen, silicone and PVC
- Particularly resistant to abrasion
- RoHS compliant
- Protection class IP67
- Cable length: 5.0 m

Contact assignment



Functional principle

Nominal current 9 A (pins 6, 12, 19)
Nominal current 2 A (other pins)

Technical data

| | |
|--|--|
| Type | CKM19-19-5/TXL |
| ID | 6631132 |
| Connector A | Female, M23 × 1, Straight |
| Number of Pins | 19 |
| Contacts | Brass, CuZn, Gold-plated |
| Contact carriers | Plastic, TPU, Gray |
| Connector body | Plastic, TPU, Black |
| Coupling nut/screw | Brass, CuZn, Nickel-plated |
| Seal | Plastic, FPM/FKM |
| Mechanical lifespan | > 100 Mating cycles |
| Pollution degree | 3 |
| Protection class | IP67, Only in screwed condition |
| Cable | |
| Cable diameter | Ø 8.9 mm ±0.30 |
| Cable length | 5 m |
| Cable jacket | TPU, Black |
| Core insulation | PP |
| Core cross-section | 16 x 0.32 mm ² |
| Arrangement of strands | 19 x 0.23 mm |
| Core cross-section | 3x 0.82 mm ² |
| Litz wire arrangement | 19 x0.15 mm |
| Core colors | VT, RD, GY, RDBU, GN, BU, GYPK, WHGN, WHYE, WHGY, BK, GNYE, YE, BN, BNGN, WH, YE, PK, GYBN, BN |
| Electrical properties at +20 °C | |
| Rated voltage | 150 V |
| Current | 2 A |

Technical data

Mechanical and chemical properties

| | |
|--|------------------------------|
| Bending radius (stationary installation) | $\geq 5 \times \varnothing$ |
| Bending radius (flexible use) | $\geq 10 \times \varnothing$ |
| Ambient temperature range (stationary) | -40 °C...+80 °C |