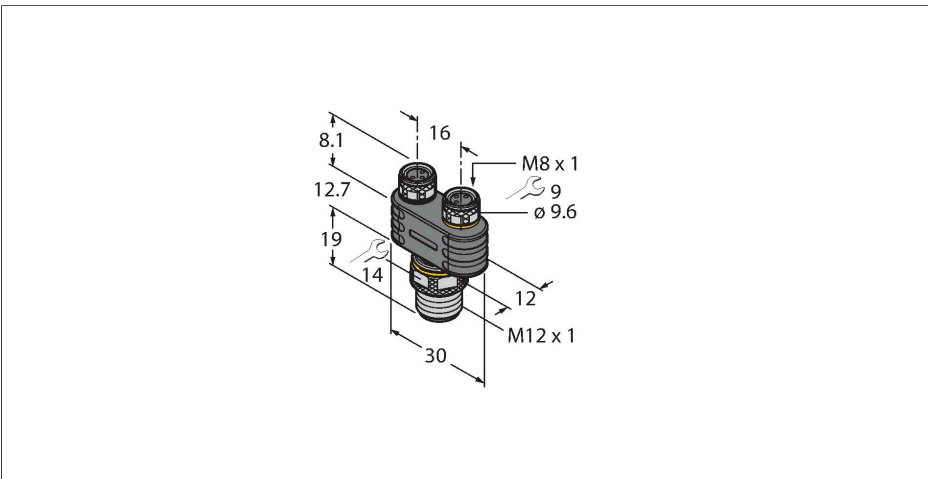


YB2-FSM4.4-2PKG3M

2-port Junction Systems – Y-Splitter without Cable, Male M12 × 1 - 2x Female M8 × 1

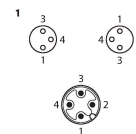


Features



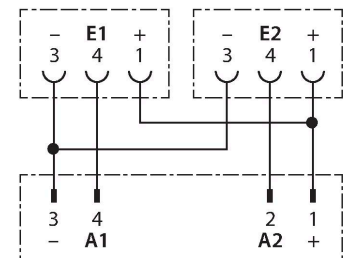
- M12 male, 4-pin
- M8 female, 3-pin
- RoHS-compliant
- Protection class IP67

Contact assignment



Technical data

Type	YB2-FSM4.4-2PKG3M
ID no.	6930549
Distributed I/O	2
Connector A	Male Connector, 2x Female Connector, M12 × 1, M8 × 1 - M12 × 1
Number of Pins	4/3
Contacts	Brass, CuZn, Gold-plated
Contact carriers	Plastic, TPU, Black
Connector body	Plastic, TPU, Black
Coupling nut/screw	Brass, CuZn, Nickel-plated
Seal	Plastic, FKM/FPM
Tightening torque (range)	0.5 ... 0.6 Nm (observe max. torque of mating connector!)
Mechanical lifespan	> 100 Mating cycles
Pollution degree	3/2
Type of protection	IP67, Only in screwed condition
Connector B	M12 × 1
Electrical properties at +20 °C	
Rated voltage	30 V
Current	4 A
Insulation resistance	≥ 10 ⁸ Ω
forward resistance	≤ 5 mΩ
Ambient temperature range (In motion)	-30 °C...+80 °C



Accessories

TORQUE-WRENCH-SET-AS

6936170



Torque wrench set; handles with adjustable torque 0.4-1.0 Nm, torque wrench for M8 (SW9), fork wrench for M12 (SW 14)