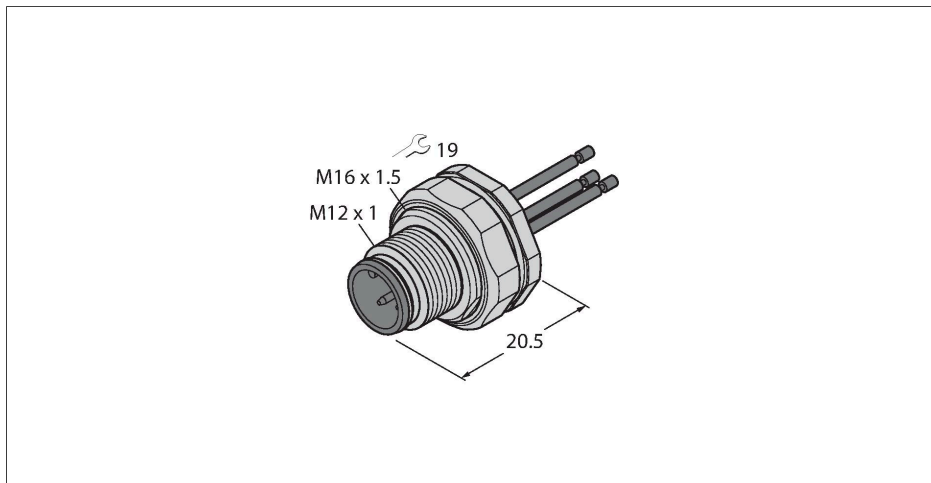


# EC-FSFDE8-0.5/16

– male flange with strands, rear-mounted

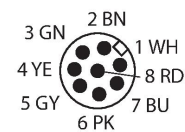


## Features



- M12 × 1 male receptacle
- Protection class IP67
- Stainless steel receptacle housing
- Rear-mounted
- Connected via stranded wires

## Contact assignment



## Technical data

Type	EC-FSFDE8-0.5/16
ID	6934571
Connector A	Male, M12 × 1, Straight, A-coded
Number of Pins	8
Contacts	Brass, CuZn, Gold-plated
Contact carriers	Plastic, PA GF, Black
Flange housing	Stainless Steel, 1.4404 (AISI 316L)
Mounting type	backplane mounting
Screw-in thread seal	plastic, NBR
Screw-in thread	M16 × 1.5
Connection mode	Wire connection
Mechanical lifespan	> 100 Mating cycles
Pollution degree	3
Protection class	IP67, (screwed together)
Cable length	0.5 m
Core insulation	PVC
Core cross-section	8 x 0.25 mm <sup>2</sup>
Core colors	WH, GN, YE, GY, BN, PK, BU, RD
<b>Electrical properties at +20 °C</b>	
Rated voltage	30 V
Current	2 A
Insulation resistance	≥ 10 <sup>8</sup> Ω
forward resistance	≤ 5 mΩ
<b>Mechanical and chemical properties</b>	
Ambient temperature range (stationary)	-30 °C...+90 °C
Approvals	CE

