

# ESP3SL

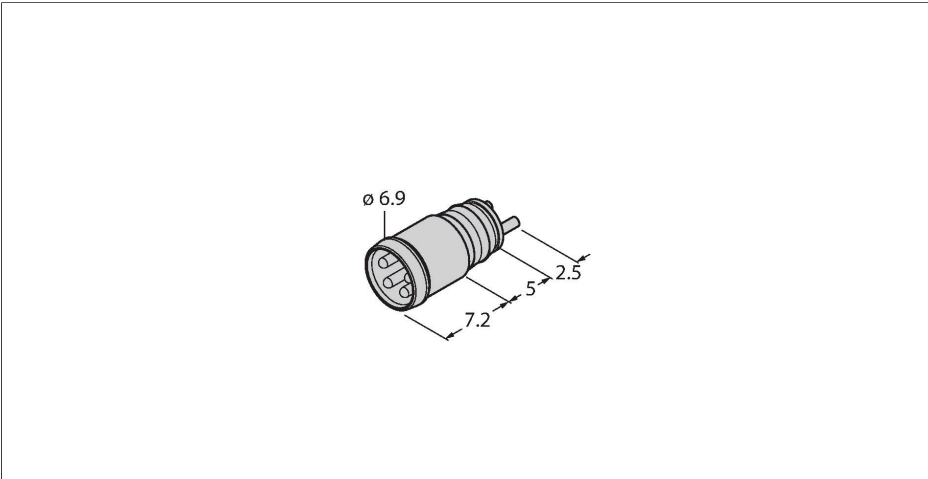
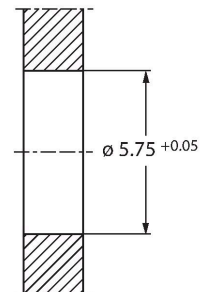
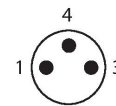
Round connector M8 x 1 / Ø 8 mm – Ø 8 mm flange connector, snap-on type

## Features



- Robust and pre-assembled flange connector
- 3-pin
- Potted, protection class IP67
- GOST-R-approved
- RoHS-compliant
- Solder contact

## Contact assignment



## Technical data

Type	ESP3SL
ID	6934770
Connector A	Male, Ø 8 mm
Number of Pins	3
Contacts	Metal, CuZn, Gold-plated
Contact carriers	Plastic, PA, Black
Flange housing	Plastic, PA, black
Connection mode	Solder contact
Mechanical lifespan	> 100 Mating cycles
Pollution degree	3/2
Protection class	IP67, (plugged)
Rated voltage	60 V
Current	4 A
Insulation resistance	≥ 10 <sup>9</sup> Ω
Ambient temperature range (stationary)	-30 °C...+90 °C