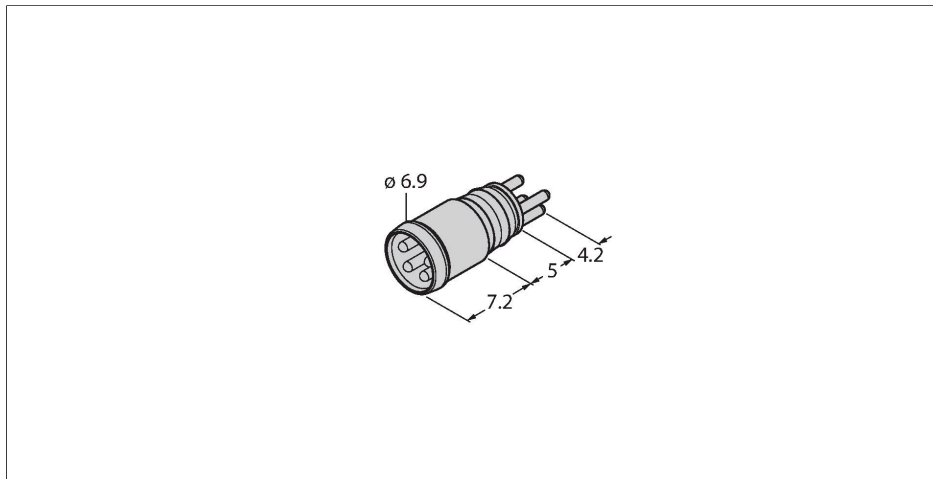


ESP4SP

M8 x 1 / Ø 8 mm round connector – Ø 8 mm Flange Connector, Snap-on Type



Features



- Robust and pre-assembled flange connector
- 4-pin
- Potted, protection class IP67
- GOST-R-approved
- RoHS-compliant
- Print contact

Contact assignment



Technical data

Type	ESP4SP
ID	6934772
Connector A	Male, Ø 8 mm
Number of Pins	4
Contacts	Metal, CuZn, Gold-plated
Contact carriers	Plastic, PA, Black
Flange housing	Plastic, PA, black
Connection mode	Print contact
Mechanical lifespan	> 100 Mating cycles
Pollution degree	3/2
Protection class	IP67, (plugged)
Rated voltage	30 V
Current	4 A
Insulation resistance	≥ 10 ⁹ Ω
Ambient temperature range (stationary)	-30 °C...+90 °C

