

ESGP3P

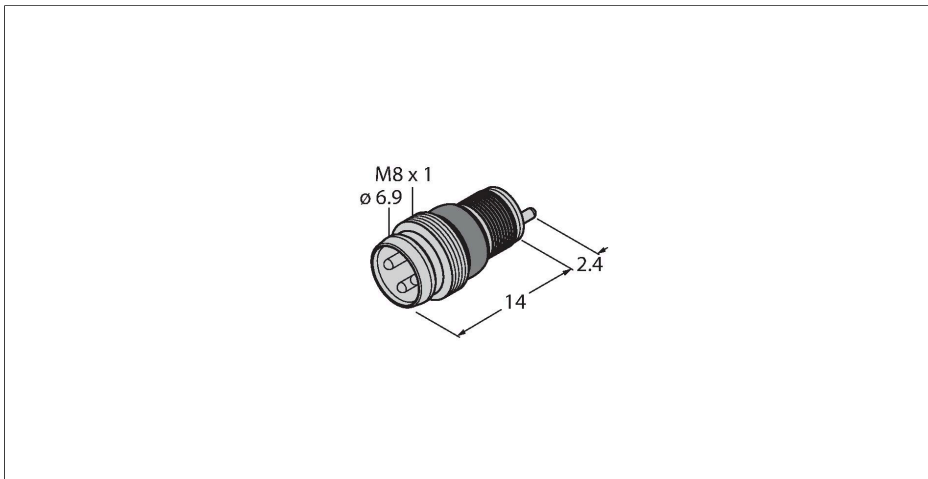
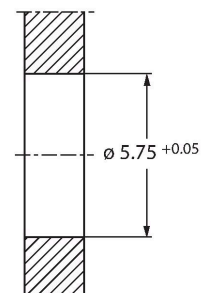
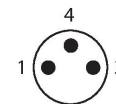
Round connector M8 x 1 / Ø 8 mm – Ø 8/M8x1 mm built-in connector, screw-/snap-on type

Features



- Robust and pre-assembled flange connector
- 3-pin
- Potted, protection class IP67
- GOST-R-approved
- RoHS-compliant
- Print contact

Contact assignment



Technical data

Type	ESGP3P
ID	6934777
Connector A	Male, Ø 8 mm
Number of Pins	3
Contacts	Metal, CuZn, Gold-plated
Contact carriers	Plastic, PA, Transparent
Flange housing	Brass, CuZn, Nickel-plated
Connection mode	Print contact
Mechanical lifespan	> 100 Mating cycles
Pollution degree	3/2
Protection class	IP67, (plugged)
Rated voltage	60 V
Current	4 A
Insulation resistance	≥ 10 ⁹ Ω
Ambient temperature range (stationary)	-30 °C...+90 °C