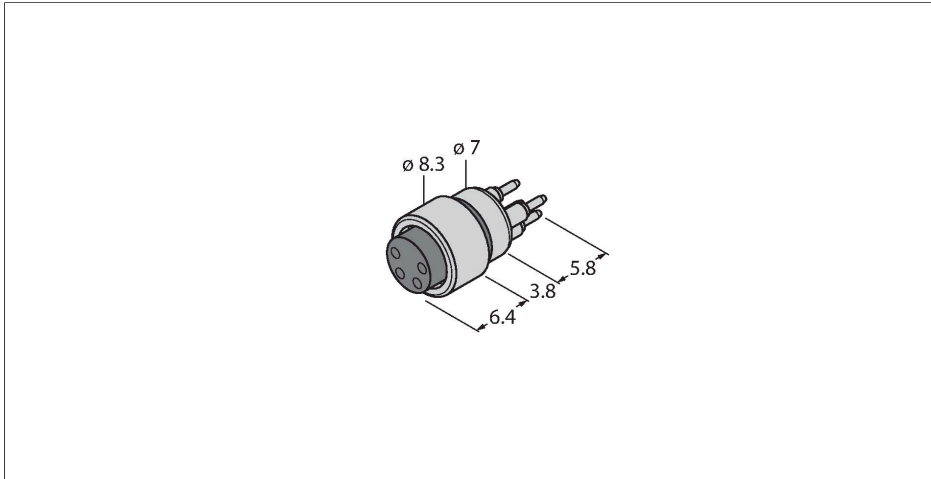


EKP3SP

Round connector M8 x 1 / Ø 8 mm – Ø 8 mm Flange Coupling, with Print Contacts



Features



- Robust and pre-assembled built-in flange connector
- 3-pin
- Potted, protection class IP67
- GOST-R-approved
- RoHS-compliant
- Print contact

Contact assignment

Technical data

Type	EKP3SP
ID	6934781
Connector A	Female, Ø 8 mm
Number of Pins	3
Contacts	Metal, CuZn, Gold-plated
Contact carriers	Plastic, PA, Black
Flange housing	Plastic, PA, black
Connection mode	Print contact
Mechanical lifespan	> 100 Mating cycles
Pollution degree	3/2
Protection class	IP67, (plugged)
Rated voltage	60 V
Current	4 A
Insulation resistance	≥ 10 ⁹ Ω
Ambient temperature range (stationary)	-30 °C...+90 °C

