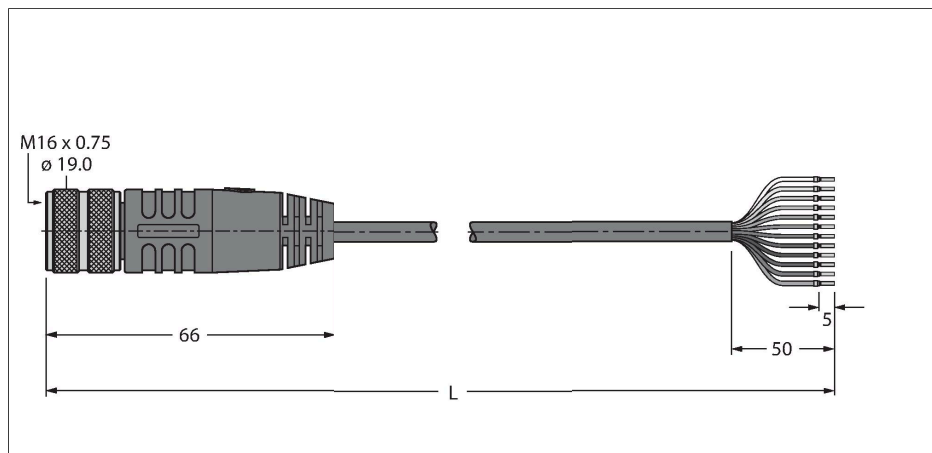


BKM19-E01-2/S90

Actuator and sensor cable – Connection Cable



Features

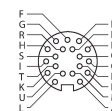


- M16 connector, female, straight, 19-pin
- Sheath material: TPU
- Sheath color: black
- Flame-retardant (FT1)
- Approval: UL and CSA
- RoHS-compliant
- Protection class IP67
- Cable length: 2.0 m

Technical data

| | |
|---------------------------------|--|
| Type | BKM19-E01-2/S90 |
| ID | 6935107 |
| Connector A | Female, M16 × 0.75, Straight |
| Number of Pins | 19 |
| Contacts | Brass, CuZn, Gold-plated |
| Contact carriers | Plastic, TPU, Black |
| Connector body | Plastic, TPU, Black |
| Coupling nut/screw | Brass, CuZn, Nickel-plated |
| Seal | Plastic, FPM/FKM |
| Mechanical lifespan | > 100 Mating cycles |
| Pollution degree | 3 |
| Protection class | IP67 |
| Cable | |
| Network protocol | S90 |
| Cable diameter | Ø 7.9 mm ±0.30 |
| Cable length | 2 m |
| Cable jacket | TPU, Black |
| Shielding | no |
| Core insulation | PVC |
| Core cross-section | 2 x 0.52 mm ² |
| Arrangement of strands | 19 x 0.19 mm |
| Core cross-section | 16x 0.21 mm ² |
| Litz wire arrangement | 19 x0.13 mm |
| Core colors | WH/GY, WH/YE, GN, RD, GY/PK, PK, RD/BU, BK, BN/GN, YE/BN, GY/BN, BN, YE, GY, WH/GN, WH, VT, BU |
| Electrical properties at +20 °C | |
| Rated voltage | 300 V |

Contact assignment



Circuit Diagram

| | |
|----|-------|
| A) | WH/GY |
| B) | WH/YE |
| C) | GN |
| D) | RD |
| E) | GY/PK |
| F) | PK |
| G) | RD/BU |
| H) | BK |
| J) | BN/GN |
| K) | YE/BN |
| L) | GY/BN |
| M) | BN |
| N) | YE |
| O) | GY |
| P) | WH/GN |
| R) | WH |
| S) | VT |
| T) | n.c. |
| U) | BU |

Technical data

Current 3 A

Mechanical and chemical properties

Bending radius (stationary installation) $\geq 5 \times \varnothing$

Bending radius (flexible use) $\geq 10 \times \varnothing$

Ambient temperature range (stationary) $-40\text{ °C} \dots +90\text{ °C}$
