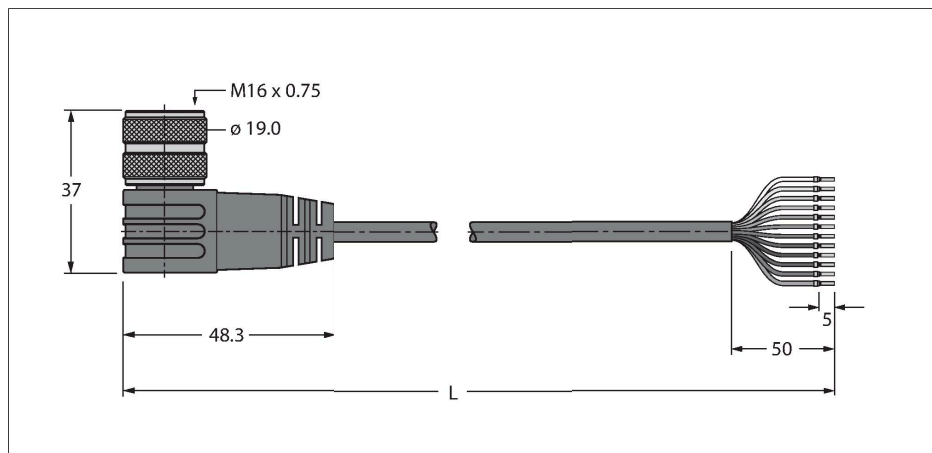


# BKWM19-E01-10/S90

## Actuator and sensor cable – Connection Cable



### Features

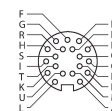


- M16 connector, female, angled, 19-pin
- Sheath material: TPU
- Sheath color: black
- Flame-retardant (FT1)
- Approval: UL and CSA
- RoHS-compliant
- Protection class IP67
- Cable length: 10 m

### Technical data

|                                 |  |
|---------------------------------|--|
| Type                            | BKWM19-E01-10/S90  |
| ID                              | 6935122  |
| Connector A                     | Female, M16 × 0.75, Angled   |
| Number of Pins                  | 19   |
| Contacts                        | Brass, CuZn, Gold-plated   |
| Contact carriers                | Plastic, TPU, Black  |
| Connector body                  | Plastic, TPU, Black  |
| Coupling nut/screw              | Brass, CuZn, Nickel-plated   |
| Seal                            | Plastic, FPM/FKM   |
| Mechanical lifespan             | > 100 Mating cycles  |
| Pollution degree                | 3  |
| Protection class                | IP67   |
| Cable                           |  |
| Network protocol                | S90  |
| Cable diameter                  | Ø 7.9 mm ±0.30   |
| Cable length                    | 10 m   |
| Cable jacket                    | TPU, Black   |
| Shielding                       | no   |
| Core insulation                 | PVC  |
| Core cross-section              | 2 x 0.52 mm <sup>2</sup>   |
| Arrangement of strands          | 19 x 0.19 mm   |
| Core cross-section              | 16x 0.21 mm <sup>2</sup>   |
| Litz wire arrangement           | 19 x0.13 mm  |
| Core colors                     | WH/GY, WH/YE, GN, RD, GY/PK, PK, RD/BU, BK, BN/GN, YE/BN, GY/BN, BN, YE, GY, WH/GN, WH, VT, BU |
| Electrical properties at +20 °C |  |
| Rated voltage                   | 300 V  |

### Contact assignment



### Circuit Diagram

|    |       |
|----|-------|
| A) | WH/GY |
| B) | WH/YE |
| C) | GN    |
| D) | RD    |
| E) | GY/PK |
| F) | PK    |
| G) | RD/BU |
| H) | BK    |
| J) | BN/GN |
| K) | YE/BN |
| L) | GY/BN |
| M) | BN    |
| N) | YE    |
| O) | GY    |
| P) | WH/GN |
| R) | WH    |
| S) | VT    |
| T) | n.c.  |
| U) | BU    |

## Technical data

Current 3 A

---

### Mechanical and chemical properties

Bending radius (stationary installation)  $\geq 5 \times \varnothing$

---

Bending radius (flexible use)  $\geq 10 \times \varnothing$

---

Ambient temperature range (stationary)  $-40\text{ °C} \dots +90\text{ °C}$

---