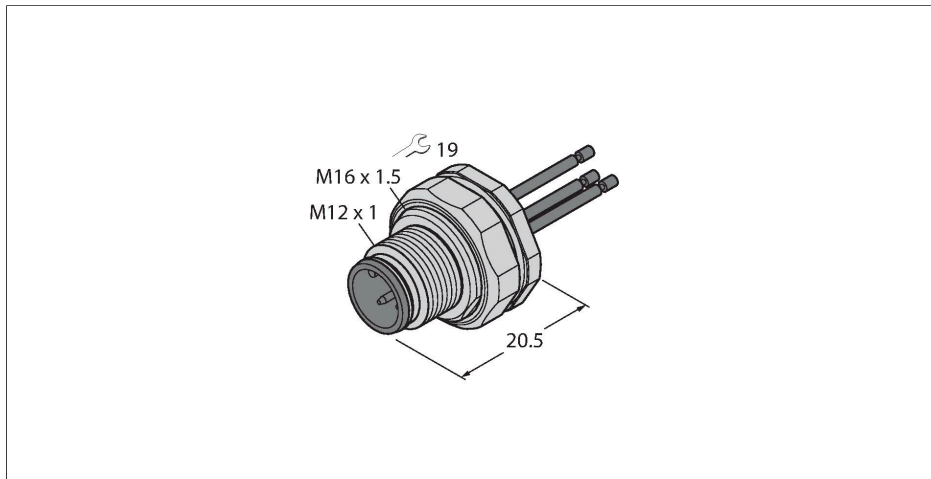


# EC-FKFDE3-1/16

## Industrial flange connector – male flange with strands, rear-mounted

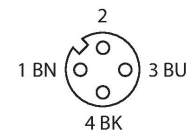


### Features



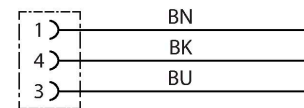
- M12 × 1 male receptacle
- Protection class IP67
- Stainless steel receptacle housing
- Rear-mounted
- Connected via stranded wires

### Contact assignment



### Technical data

Type	EC-FKFDE3-1/16
ID	6935161
Connector A	Male, M12 × 1, Straight, A-coded
Number of Pins	3
Contacts	Brass, CuZn, Gold-plated
Contact carriers	Plastic, PA GF, Black
Seal	Plastic, FPM/FKM
Flange housing	Stainless Steel, 1.4404 (AISI 316L)
Mounting type	backplane mounting
Screw-in thread seal	plastic, NBR
Screw-in thread	M16 × 1.5
Connection mode	Wire connection
Mechanical lifespan	> 100 Mating cycles
Pollution degree	3
Protection class	IP67, (screwed together)
Cable length	1 m
Core insulation	PVC
Core cross-section	3 x 0.34 mm <sup>2</sup>
Core colors	BN, BU, BK
<b>Electrical properties at +20 °C</b>	
Rated voltage	250 V
Current	4 A
Insulation resistance	≥ 10 <sup>8</sup> Ω
forward resistance	≤ 5 mΩ



## Technical data

### Mechanical and chemical properties

Ambient temperature range (stationary)	-30 °C...+90 °C
--	-----------------

Approvals	CE
-----------	----