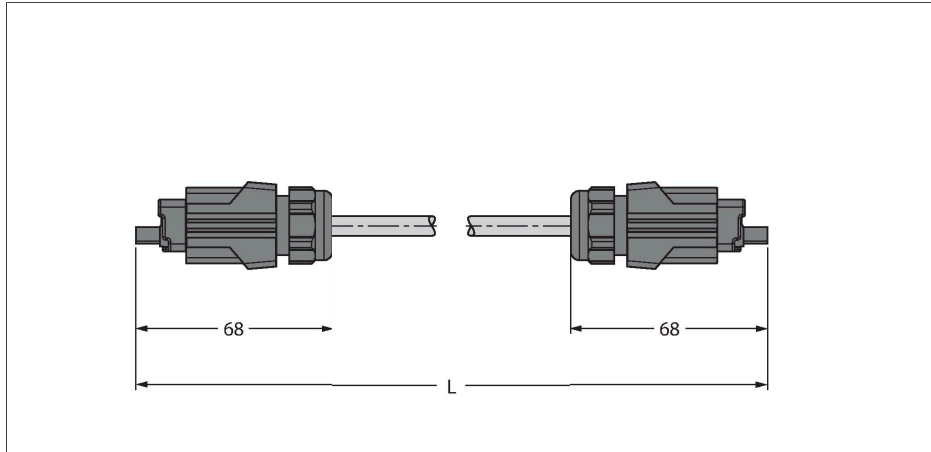


# AIDA-GP-AIDA-GP-52-2M

## Power Cable, PUR – Power cable according to AIDA

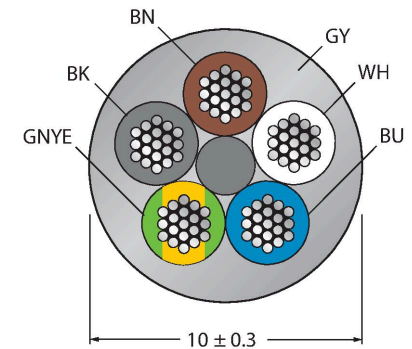


### Features



- Push-pull power connector, 4-pin + PE
- Power cable: 5 x 2.5 mm<sup>2</sup>
- Jacket material: PUR, color: gray
- Jacket diameter: 10 mm
- Conductor: finely stranded according to VDE 0295, class 5/IEC 60228 Cl.5
- Oil-resistant
- Resistant to abrasion and notch
- Resistant to hydrolysis and microbes
- RoHS-compliant
- AIDA-compliant
- Protection classes IP65/IP67

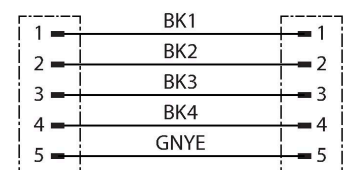
### Cable Cross-Section



### Contact assignment



### Circuit Diagram



### Technical data

|                     |  |
|---------------------|--|
| Type                | AIDA-GP-AIDA-GP-52-2M                              |
| ID                  | 6935645  |
| Connector A         | Male, Push-Pull Power, Straight                    |
| Number of Pins      | 4+PE   |
| Contacts            | Metal, CuZn, Gold-plated                           |
| Contact carriers    | Plastic, Black                                     |
| Connector body      | Die-cast Zinc, GD-Zn, Nickel-plated, silver-plated |
| Mechanical lifespan | > 500 Mating cycles                                |
| Pollution degree    | 3  |
| Protection class    | IP65, IP67, (plugged)                              |
| Connector B         | Male, Push-Pull Power, Straight                    |
| Number of pins      | 4+PE   |
| Contacts            | Metal, CuZn, Gold-plated                           |
| Contact carriers    | Plastic, Black                                     |
| Connector body      | Die-cast Zinc, GD-Zn, nickel-plated                |
| Mechanical life     | > 500 Mating cycles                                |
| Pollution degree    | 3  |
| Protection class    | IP65, IP67, (Plugged)                              |
| Cable               |  |
| Cable diameter      | Ø 10 mm ±0.30                                      |
| Cable length        | 2 m  |
| Cable jacket        | PUR, Gray  |
| Shielding           | no   |
| Core insulation     | PVC  |
| Core cross-section  | 5 x 2.5 mm <sup>2</sup>                            |
| Core colors         | BN, WH, BU, BK, GNYE                               |

## Technical data

### Electrical properties at +20 °C

|               |        |
|---------------|--------|
| Rated voltage | 24 V   |
| Test voltage  | 4000 V |
| Current       | 16 A   |

### Mechanical and chemical properties

|  |                              |
|--|------------------------------|
| Bending radius (stationary installation) | $\geq 4 \times \varnothing$  |
| Bending radius (flexible use)            | $\geq 13 \times \varnothing$ |
| Ambient temperature range (stationary)   | -40 °C...+70 °C              |
| Ambient temperature range (In motion)    | -5 °C...+70 °C               |

### Other Features

|                              |     |
|------------------------------|-----|
| Qualified for drag chain use | no  |
| Halogen-free                 | no  |
| Oil-resistant                | yes |