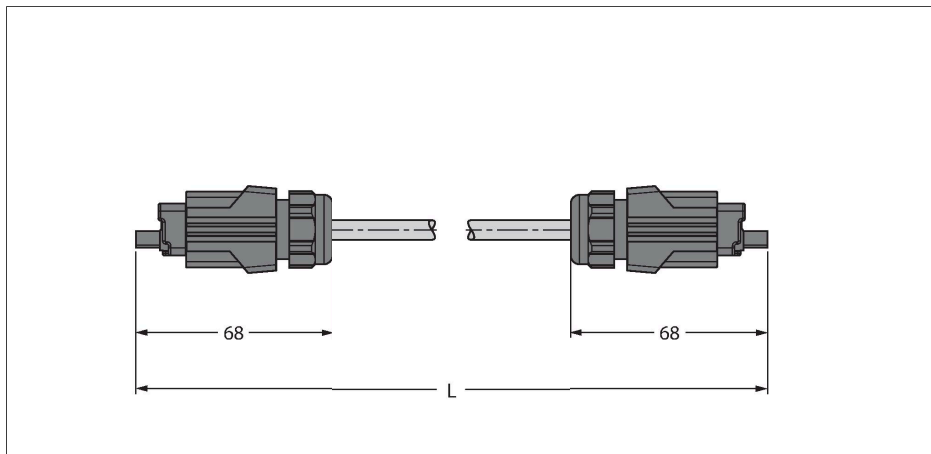


AIDA-GP-AIDA-GP-52-5M

Power Cable, PUR – Power cable according to AIDA



Features

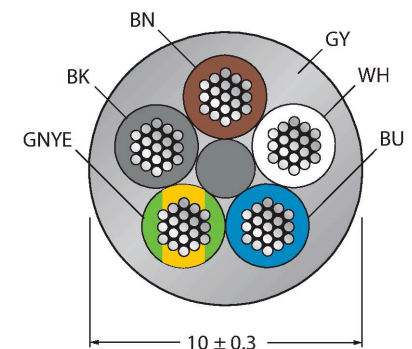


- Push-pull power connector, 4-pin + PE
- Power cable: 5 x 2.5 mm²
- Jacket material: PUR, color: gray
- Jacket diameter: 10 mm
- Conductor: finely stranded according to VDE 0295, class 5/IEC 60228 Cl.5
- Oil-resistant
- Resistant to abrasion and notch
- Resistant to hydrolysis and microbes
- RoHS-compliant
- AIDA-compliant
- Protection classes IP65/IP67

Technical data

Type	AIDA-GP-AIDA-GP-52-5M
ID	6935646
Connector A	Male, Push-Pull Power, Straight
Number of Pins	4+PE
Contacts	Metal, CuZn, Gold-plated
Contact carriers	Plastic, Black
Connector body	Die-cast Zinc, GD-Zn, Nickel-plated, silver-plated
Mechanical lifespan	> 500 Mating cycles
Pollution degree	3
Protection class	IP65, IP67, (plugged)
Connector B	Male, Push-Pull Power, Straight
Number of pins	4+PE
Contacts	Metal, CuZn, Gold-plated
Contact carriers	Plastic, Black
Connector body	Die-cast Zinc, GD-Zn, nickel-plated
Mechanical life	> 500 Mating cycles
Pollution degree	3
Protection class	IP65, IP67, (Plugged)
Cable	
Cable diameter	Ø 10 mm ±0.30
Cable length	5 m
Cable jacket	PUR, Gray
Shielding	no
Core insulation	PVC
Core cross-section	5 x 2.5 mm ²
Core colors	BN, WH, BU, BK, GNYE

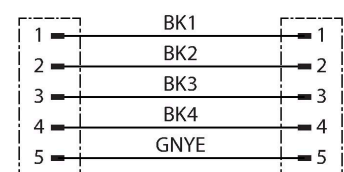
Cable Cross-Section



Contact assignment



Circuit Diagram



Technical data

Electrical properties at +20 °C	
Rated voltage	24 V
Test voltage	4000 V
Current	16 A
Mechanical and chemical properties	
Bending radius (stationary installation)	≥ 4 x Ø
Bending radius (flexible use)	≥ 13 x Ø
Ambient temperature range (stationary)	-40 °C...+70 °C
Ambient temperature range (In motion)	-5 °C...+70 °C
Other Features	
Qualified for drag chain use	no
Halogen-free	no
Oil-resistant	yes