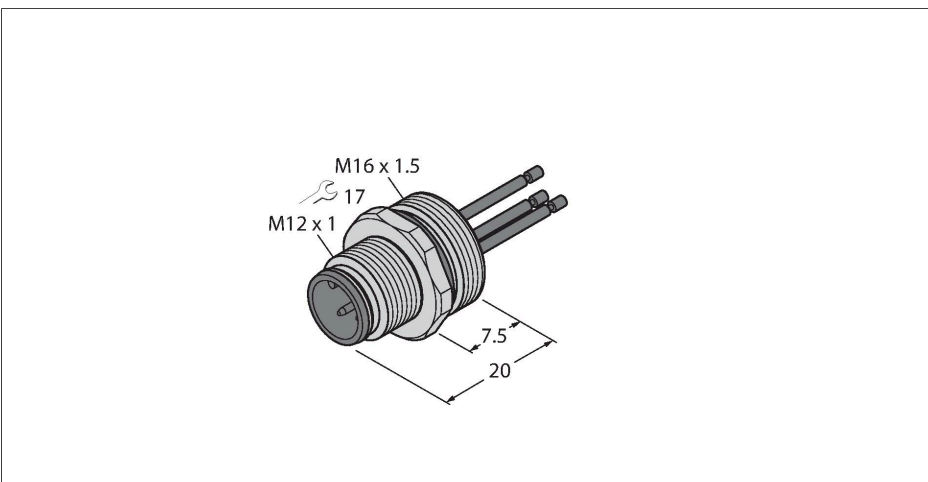


EC-FS5-0.5/16/S368

– male flange with strands, front-mounted

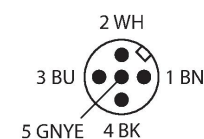


Features



- M12 × 1 male receptacle
- Protection class IP67
- Front panel mounting
- Connected via stranded wires (PVC and halogen-free)

Contact assignment



Technical data

| | |
|---|----------------------------------|
| Type | EC-FS5-0.5/16/S368 |
| ID | 6935757 |
| Connector A | Male, M12 × 1, Straight, A-coded |
| Number of Pins | 4+PE |
| Contacts | Brass, CuZn, Gold-plated |
| Contact carriers | Plastic, PA GF, Black |
| Flange housing | Brass, CuZn, Nickel-plated |
| Mounting type | front panel mounting |
| Screw-in thread seal | plastic, NBR |
| Screw-in thread | M16 × 1.5 |
| Connection mode | Wire connection |
| Mechanical lifespan | > 100 Mating cycles |
| Pollution degree | 3 |
| Protection class | IP67, (screwed together) |
| Cable length | 0.5 m |
| Core insulation | PUR |
| Core cross-section | 4 x 0.34 mm ² |
| Core colors | BN, WH, BU, BK, GNYE |
| Electrical properties at +20 °C | |
| Rated voltage | 60 V |
| Current | 4 A |
| Insulation resistance | ≥ 10 ⁸ Ω |
| forward resistance | ≤ 5 mΩ |
| Mechanical and chemical properties | |
| Ambient temperature range (stationary) | -30 °C...+90 °C |
| Approvals | CE |

