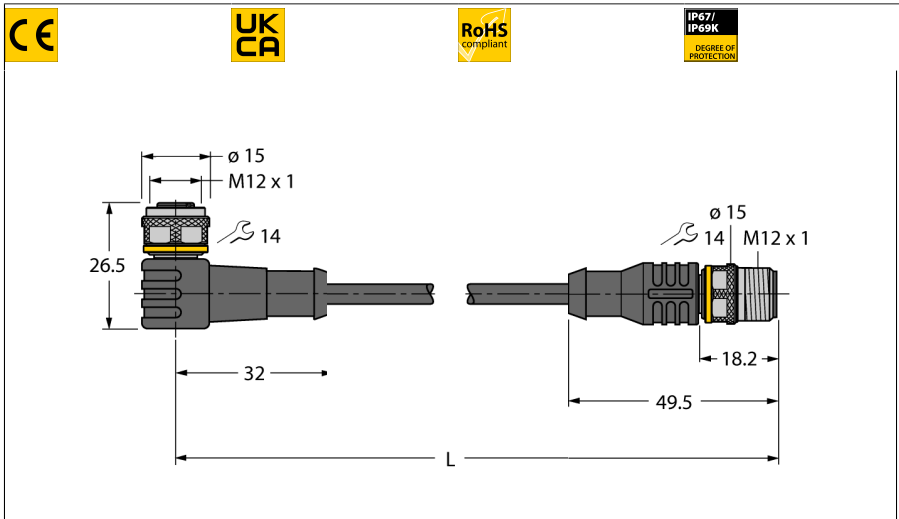


RFID Cable Economy Version Extension Cable WK4.5T-2-RS4.5T/S2503



- 4-wire, AWG 24/AWG 22
- Jacket material: PUR, color: black
- Free from halogen and LABS
- Shielding: aluminum foil, tinned copper wire
- Jacket diameter: 6.9 mm
- Suitable for drag chain use, oil resistant, flexible
- Cable UL Style 20549
- Cable length: 2.0 m

Type	WK4.5T-2-RS4.5T/S2503
ID	7030336

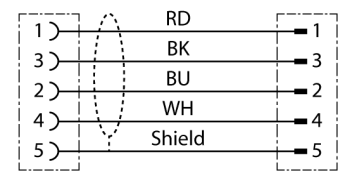
Connector A	Female, M12 × 1, Angled, A-coded
Number of Pins	5
Contact carriers	Plastic, TPU, Black
Connector body	Plastic, TPU, Black
Coupling nut/screw	Brass, CuZn-Ni, Nickel-plated
Tightening torque (range)	0.6 ... 1 Nm (observe max. torque of mating connector!)
Mechanical lifespan	> 100 Mating cycles
Pollution degree	3
Protection class	IP67, IP69K, Only in screwed condition

Connector B	Male, M12 × 1, Straight, A-coded
Number of pins	5 pins
Contact carriers	Plastic, TPU, Black
Connector body	Plastic, TPU, Black
Coupling nut/retaining screw	Brass, CuZn-Ni, Nickel-plated
Tightening torque	0.6 ... 1 Nm (observe max. torque of mating connector!)
Mechanical life	> 100 Mating cycles
Pollution degree	3
Protection class	IP67, IP69K, Only when screwed together

Cable	
Cable diameter	Ø 6.9mm
Cable length	2 m m
Cable jacket	PUR, Black
Shielding	yes
Core cross-section	2 x 0.25 mm ²
Core cross-section	2x 0.34 mm ²
Core colors	Power: RD, BK, Data: WH, BU



Circuit Diagram



Electrical properties at +20 °C	
Rated voltage	30VV
Current	4AA
DC resistance (loop)	103 Ω/km
Nom. impedance	135 Ω

Mechanical and chemical properties	
Bending radius (flexible use)	≥ 10 x Ø
Bending cycles	≥ 1 million
Ambient temperature range (stationary)	-30°C...+80°C
Ambient temperature range (In motion)	-25°C...+80°C

Other Features	
Qualified for drag chain use	yes
Halogen-free	yes