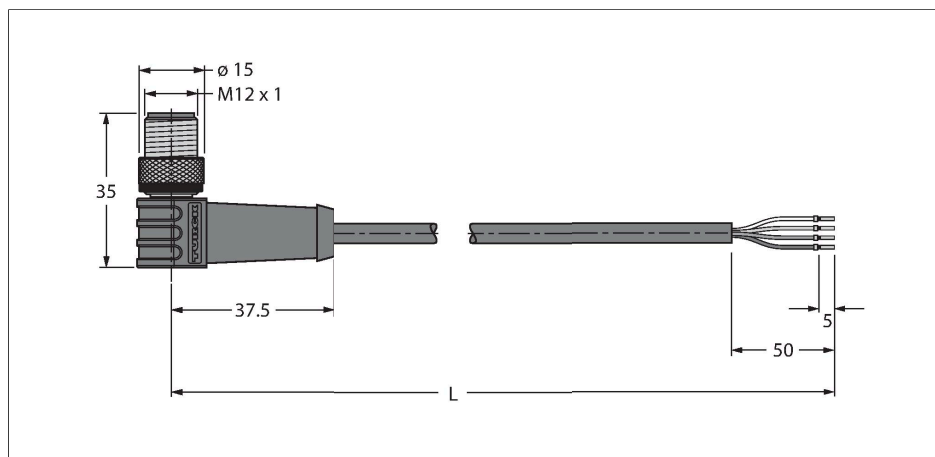


HT-WWAS4-5/S2430

High-Temperature Resistant Actuator and Sensor Cable – Connection Cable



Features

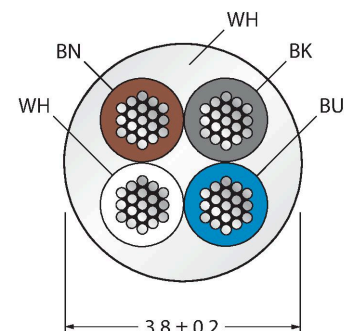


- M12 male connector, angled, 4-pin
- Sheath material: PTFE
- Sheath color: white
- Flame-retardant
- Resistant to welding sparks
- Resistant to chemicals, UV radiation and oils
- Resistant to acids and alkaline solutions
- LABS free
- Resistant to microbes and hydrolysis
- Cold and heat-flexible
- RoHS-compliant
- Protection class IP65
- Temperature range of the cable: -190°C... 260°C
- Cable length: 5.0 m

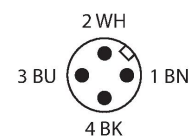
Technical data

| | |
|--|--|
| Type | HT-WWAS4-5/S2430 |
| ID | 8036095 |
| Connector A | Male, M12 × 1, Angled |
| Number of Pins | 4 |
| Contacts | Brass, CuZn, Gold-plated |
| Contact carriers | Plastic, PBT GF, Black |
| Connector body | Plastic, PBT GF, Black |
| Coupling nut/screw | Brass, CuZn, Nickel-plated |
| Seal | FPM/FKM |
| Tightening torque (range) | 0.8 ... 1 Nm (observe max. torque of mating connector!) |
| Mechanical lifespan | > 100 Mating cycles |
| Pollution degree | 3 |
| Protection class | IP65, Only in screwed condition |
| Cable | |
| Cable diameter | Ø 3.8 mm ±0.20 |
| Cable length | 5 m |
| Cable jacket | PTFE, White |
| Core insulation | PTFE |
| Core cross-section | 4 x 0.34 mm ² |
| Arrangement of strands | 7 x 0.254 mm |
| Core colors | BN, WH, BU, BK |
| Electrical properties at +20 °C | |
| Rated voltage | 250 V |
| Current | 4 A |
| Insulation resistance | ≥ 10 ⁸ Ω |

Cable Cross-Section



Contact assignment



Technical data

forward resistance $\leq 5 \text{ m}\Omega$

Mechanical and chemical properties

Bending radius (stationary installation) $\geq 5 \times \varnothing$

Bending radius (flexible use) $\geq 10 \times \varnothing$

Ambient temperature range (stationary) $-20 \text{ }^\circ\text{C} \dots +150 \text{ }^\circ\text{C}$

Circuit Diagram

