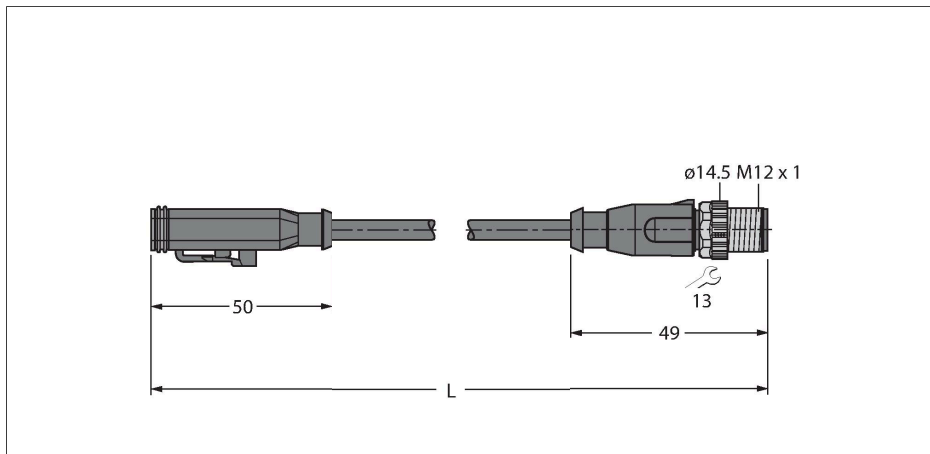


DT06-2S-A-5-RSC4.221T/TXL

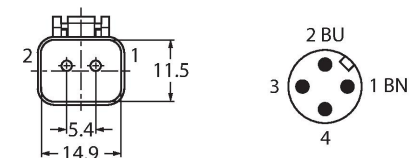
Deutsch Connector – Extension Cable



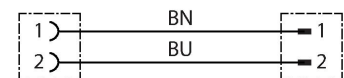
Features

- Deutsch connector DT06, straight, 2-pin
- Jacket material: TPE-U (PUR)
- Jacket color: black, similar to RAL 9005
- Qualified for drag chain use
- Flame-retardant acc. to cULus 20549
- Halogen-free acc. DIN VDE 0472 part 815
- Approval: cULus
- RoHS-compliant
- Protection classes IP67/IP69K
- Cable length: 5.0 m

Contact assignment



Circuit Diagram



Technical data

| | |
|------------------------------|--|
| Type | DT06-2S-A-5-RSC4.221T/TXL |
| ID | 100002059 |
| Connector A | Female, Deutsch DT, Straight |
| Number of Pins | 2 |
| Contacts | Brass, CuZn, Gold-plated |
| Contact carriers | Plastic, TPU, Black |
| Connector body | Plastic, TPU, Black |
| Seal | Plastic, Silicone |
| Mechanical lifespan | > 100 Mating cycles |
| Pollution degree | 3 |
| Protection class | IP67, (plugged) |
| Connector B | Male, M12 × 1, Straight |
| Contacts | Brass, CuZn, Gold-plated |
| Contact carriers | Plastic, TPU, Black |
| Connector body | Plastic, TPU, Black |
| Coupling nut/retaining screw | Brass, CuZn, Nickel-plated |
| Tightening torque | 0.8 ... 1 Nm (observe max. torque of mating connector!) |
| Mechanical life | > 100 Mating cycles |
| Pollution degree | 3 |
| Protection class | IP67, Only when screwed together |
| Cable | |
| Cable diameter | Ø 5 mm ±0.15 |
| Cable length | 5 m |
| Cable jacket | PUR, Black |
| Core insulation | PP |
| Core cross-section | 2 x 0.75 mm ² |

Technical data

| | |
|---|--------------------------|
| Arrangement of strands | 42 x 0.15 mm |
| Core colors | BN, BU |
| Electrical properties at +20 °C | |
| Rated voltage | 230 V |
| Test voltage | 3000 V |
| Current | 4 A |
| Mechanical and chemical properties | |
| Bending radius (stationary installation) | ≥ 5 x Ø |
| Bending radius (flexible use) | ≥ 10 x Ø |
| Bending cycles | ≥ 4 million |
| Admissible acceleration | max. 10 m/s ² |
| Admissible traversing speed | 3.33 m/s |
| Ambient temperature range (stationary) | -40 °C...+80 °C |
| Ambient temperature range (In motion) | -25 °C...+80 °C |