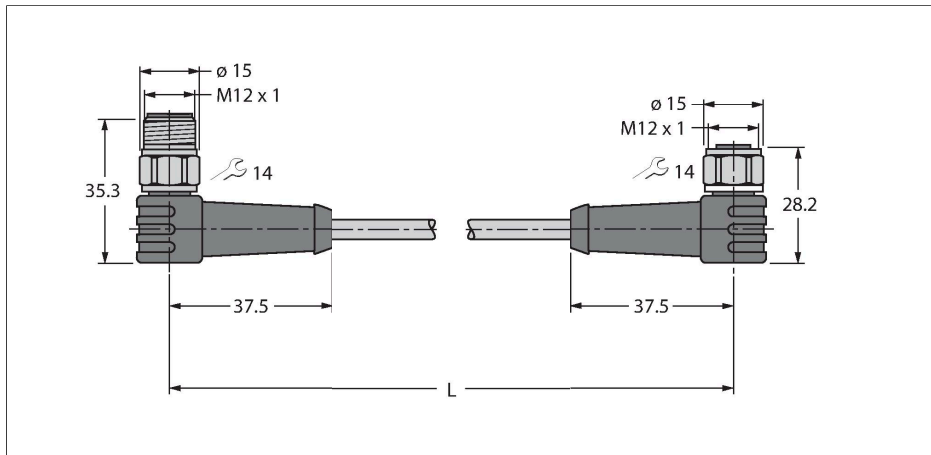


WSCV-WKCV5500-2M/S2500

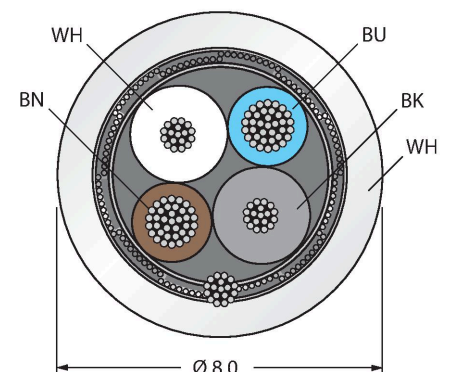
Cable for RFID Application in the Food Industry – Extension Cable



Features

- M12 male connector, angled, stainless steel
- M12 female connector, angled, stainless steel
- Jacket material: PPEDEM
- Jacket color: white
- Suitable for drag chain use
- Oil-resistant in accordance with EN 60811-2-1
- Halogen-free and silicone-free
- Particularly resistant to abrasion
- RoHS II/REACH-compliant
- Protection class: IP67, IP69K
- Cable length: 2.0 m

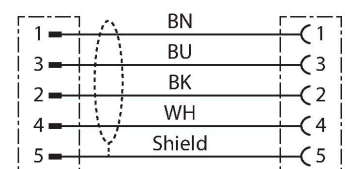
Cable Cross-Section



Contact assignment



Circuit Diagram



Technical data

Type	WSCV-WKCV5500-2M/S2500
ID	6633209
Connector A	Male, M12 × 1, Angled, A-coded
Number of Pins	5
Contacts	Metal, CuZn, Gold-plated
Contact carriers	Plastic, PPH, White
Connector body	Plastic, PP, White
Coupling nut/screw	Stainless Steel, V4A
Tightening torque	0.8 Nm
Mechanical lifespan	> 100 Mating cycles
Protection class	IP67, IP69K, Only in screwed condition
Connector B	Female, M12 × 1, Angled, A-coded
Number of pins	5
Contacts	Metal, CuZn, Gold-plated
Contact carriers	Plastic, PPH, White
Connector body	Plastic, PP, White
Coupling nut/retaining screw	Stainless Steel, V4A
Seal	Plastic, FPM/FKM
Tightening torque	0.8 Nm
Mechanical life	> 100 Mating cycles
Protection class	IP67, IP69K, Only when screwed together
Cable	
Cable diameter	Ø 8 mm
Cable length	2 m
Cable jacket	PPEDEM, White

Technical data

Shielding	yes
Core insulation	XLPE
Data cable cores	
Core cross-section	2 x 0.25 mm ²
Power cable cores	
Core cross-section	2x 0.34 mm ²
Core colors	Power: BN, BU Data: WH, BK
Electrical properties at +20 °C	
Rated voltage	60 V
Current	4 A
DC resistance (loop)	82 Ω/km
Nom. impedance	120 Ω (1 MHz)
Nom. capacitance	37 pF/m
Mechanical and chemical properties	
Bending radius (stationary installation)	≥ 5 x Ø
Bending radius (flexible use)	≥ 10 x Ø
Bending cycles	≥ 2 million
Admissible acceleration	max. 5 m/s ²
Admissible travel path, horizontal	5 m (at 5 m/s ²)
Admissible travel path, vertical	5 m (at 5 m/s ²)
Admissible traversing speed	3.3 m/s
Torsional stress	± 180 °/m
Torsion cycles	≥ 2 million Cycles
Ambient temperature range (stationary)	-40 °C...+105 °C
Ambient temperature range (In motion)	-35 °C...+105 °C
Other Features	
Qualified for drag chain use	yes
Halogen-free	yes