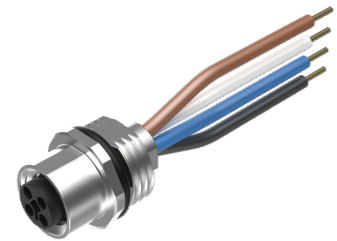
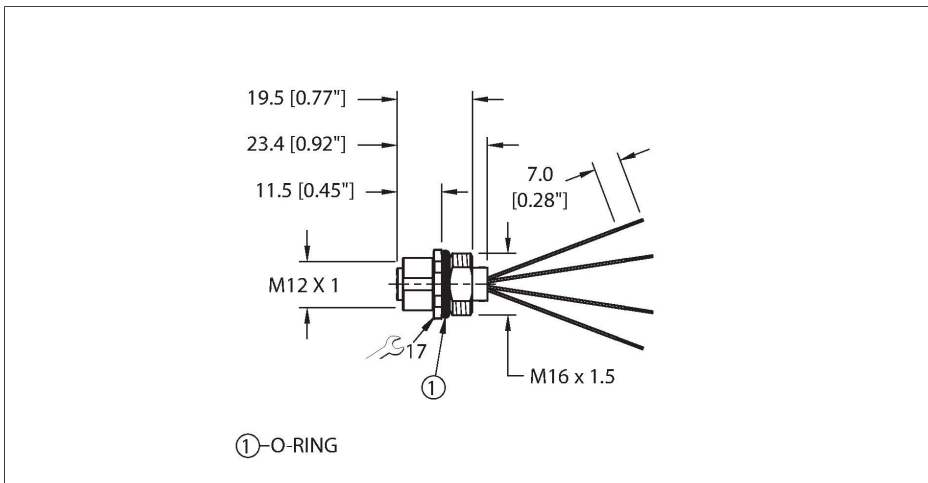


# FK46PT-1/M16

## M12 Power Flange – Front-mounted



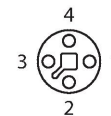
### Features



- M12 powerfast Flanschkupplung
- M12 female connector, T-coded, 4-pin
- Screw-in thread: M16 × 1.5

### Contact assignment

Connector A



### Circuit Diagram



### Technical data

Type	FK46PT-1/M16
ID	U2-28492
Connector A	Female, M12 × 1, T-coded
Design specification	acc. to IEC 61076-2-111
Number of Pins	4
Contacts	Brass, CuZn, Gold-plated
Contact carriers	Plastic, PA, Black
Seal	O ring, Plastic, FKM/FPM
Flange housing	Brass, CuZn, Nickel-plated
Tightening torque (range)	0.4 ... 1 Nm (observe max. torque of mating connector!)
Mounting type	front panel mounting
Screw-in thread seal	O-ring, NBR
Screw-in thread	M16 × 1.5
Flange tightening torque	2.5...7.3 Nm
Mechanical lifespan	> 100 Mating cycles
Pollution degree	3
Protection class	IP68
	NEMA: 1, 3, 4, 6P
<b>Conductor data</b>	
Number of cores	4
Cable length	1 m, 1 m, (+ 50 mm or 4 % of the length/-0.0, depending on which value is larger)
Conductor material	TC (tinned copper)
Core insulation	PVC
Core cross-section	4 x 16 AWG [Similar to 1.50 mm <sup>2</sup> ]

## Technical data

Core colors BN, WH, BU, BK

### Electrical properties at +20 °C

Rated voltage 63 V

Current 12 A

### Mechanical and chemical properties

Ambient temperature range (stationary) -40 °C...+85 °C

Approvals CE  
UKCA

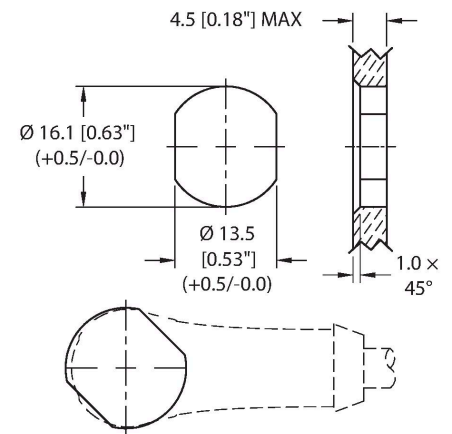
### Note

**CAUTION: RISK OF ELECTRIC SHOCK!  
DO NOT DISCONNECT UNDER LOAD!**

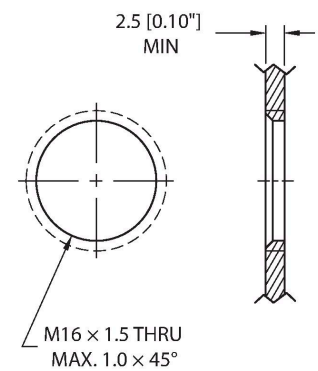
- The standard right-angled connection cable runs perpendicular to the flat surfaces of the mounting hole.

- We reserve the right to make technical modifications without prior notice.

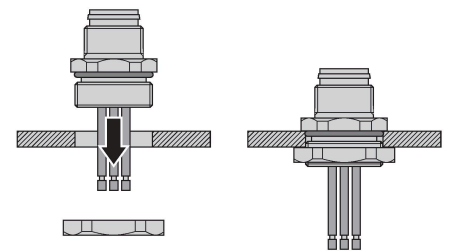
## Through bore



## Threaded bore



## Front panel mounting



---

## Derating curve

