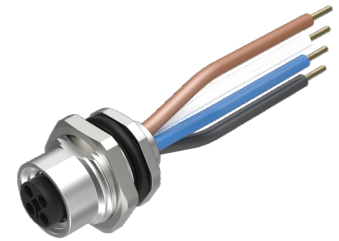
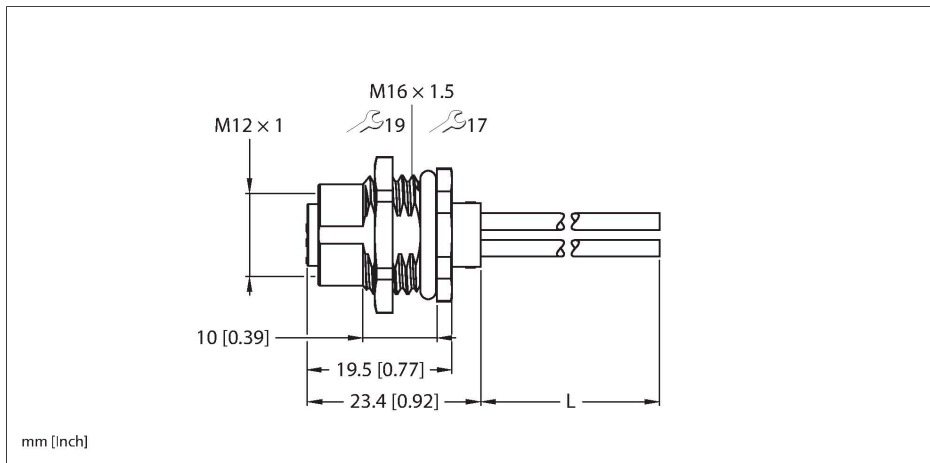


FKFD46PT-2/M16

M12 Power Flange – Rear-mounted



Technical data

Type	FKFD46PT-2/M16
ID	U2-29259
Connector A	Female, M12 × 1, T-coded
Design specification	acc. to IEC 61076-2-111
Number of Pins	4
Contacts	Brass, CuZn, Gold-plated
Contact carriers	Plastic, PA, Black
Seal	O ring, Plastic, FKM/FPM
Flange housing	Brass, CuZn, Nickel-plated
Tightening torque (range)	0.4 ... 1 Nm (observe max. torque of mating connector!)
Mounting type	backplane mounting
Screw-in thread seal	O-ring, NBR
Screw-in thread	M16 × 1.5 BrassCuZnNickel-plated
Flange tightening torque	2.5...7.3 Nm
Mechanical lifespan	> 100 Mating cycles
Pollution degree	3
Protection class	IP68 NEMA: 1, 3, 4, 6P
Conductor data	
Number of cores	4
Cable length	2 m, 2 m, (+ 50 mm or 4 % of the length/-0.0, depending on which value is larger)
Conductor material	TC (tinned copper)
Core insulation	PVC

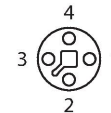
Features



- M12 powerfast Flanschkupplung
- M12-Kupplung, T-codiert, 4-polig

Contact assignment

Connector A



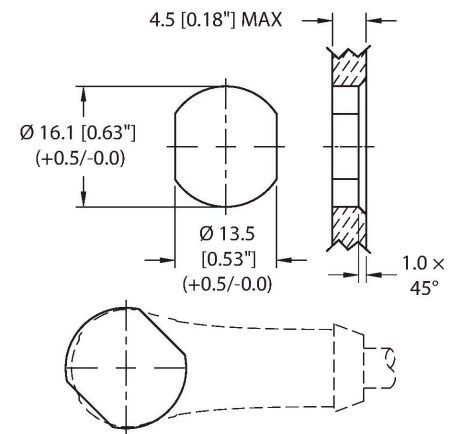
Circuit Diagram



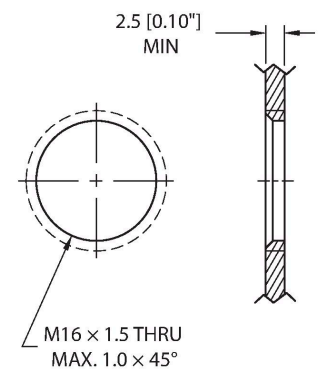
Technical data

Core cross-section	4 x 16 AWG [Similar to 1.50 mm ²]
Core colors	BN, WH, BU, BK
Electrical properties at +20 °C	
Rated voltage	63 V
Current	12 A
Mechanical and chemical properties	
Ambient temperature range (stationary)	-40 °C...+85 °C
Approvals	CE UKCA
Note	
<p>CAUTION: RISK OF ELECTRIC SHOCK! DO NOT DISCONNECT UNDER LOAD!</p> <p>- We reserve the right to make technical modifications without prior notice.</p>	

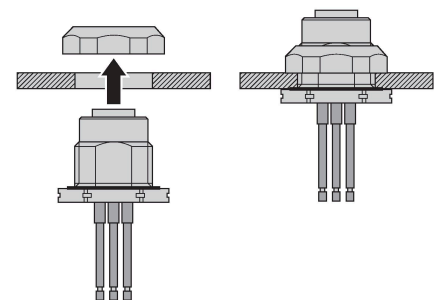
Through bore



Threaded bore



Rear-mounted



Derating curve

