

HF Marine Container Plug HF-PCL023W

HF Marine Container Plug is designed for Reefer Container use only.

A turning mechanism makes it possible to use the same plug on the truck as well as on the vessel, without removing the plug's safety "lug". Safe and easy switch the plug between 3H and 6H using nothing but a screwdriver.

A transparent inspection window allows for a full internal visual inspection of the plug and connections, without the need of fully dismantling and reassembly of the plug.

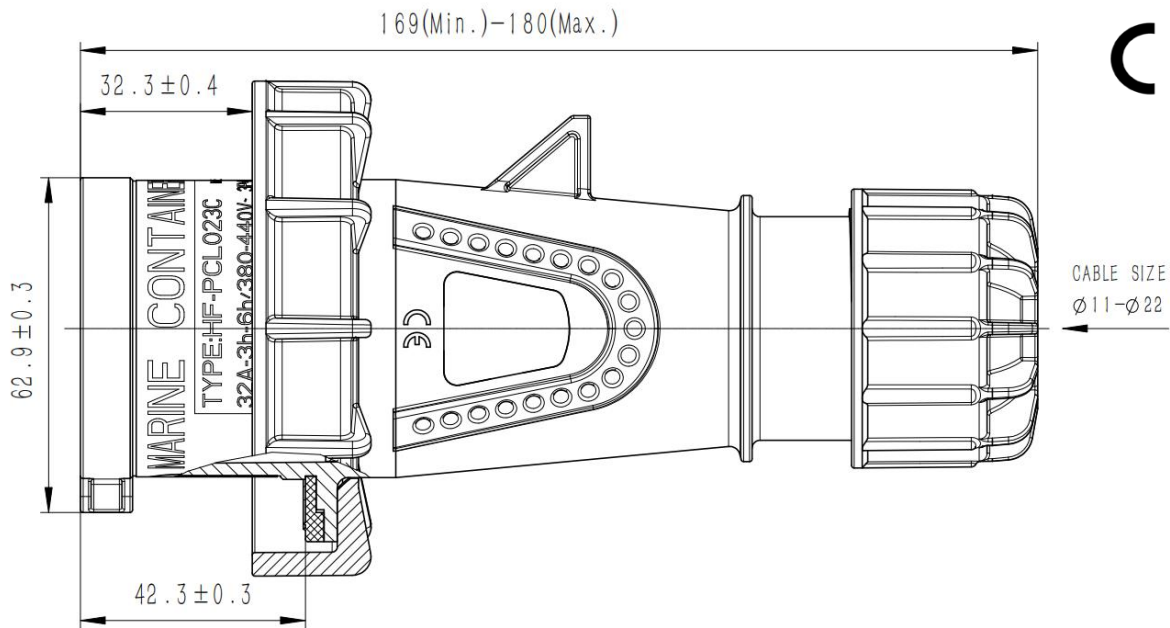


General description	
Rated current:	32A
Rated voltage:	AC 440V ~
No. of poles:	3P+ ⊕
Earth contact position:	3H/6H
Protection degree:	IP67
Apply to cable types:	4G2, 5mm ² , 4G4mm ² , 4G6mm ² , AWG 11/4, AWG 10/4
Apply to cable diameter:	10.9mm. - 20.2mm.
Housing material:	Flame retardant PA6 with transparent inspection windows
Contact:	Nickel plated brass
Package:	10 pcs. in a carton box
Feature:	Able to switch from 3H to 6H by using a screw driver
Feature:	Able to make PTI inspection through the inspection windows
Feature:	Build in wire protection terminals
Feature:	Torx 10 screws, with head to be teared off at 1.5NM
Approvals:	CE / ROSH/ REACH

HF Marine Container Plug HF-PCL023W

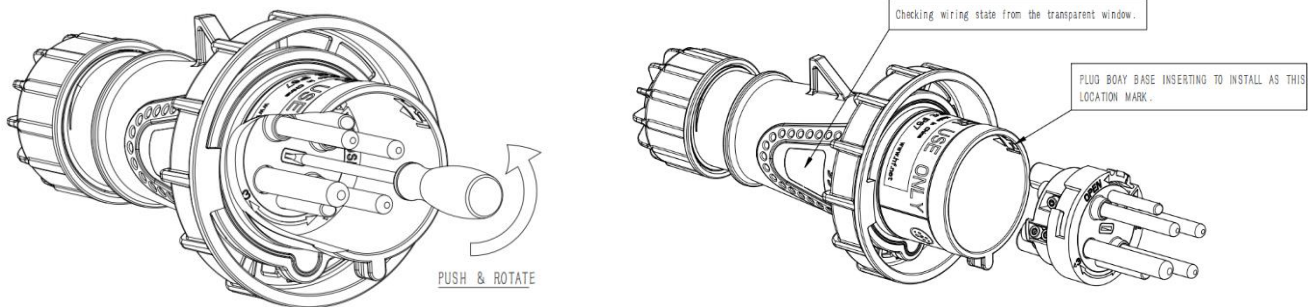
tutorial video

Dimension



Watch video

Structure



Switch between 3H-6H

